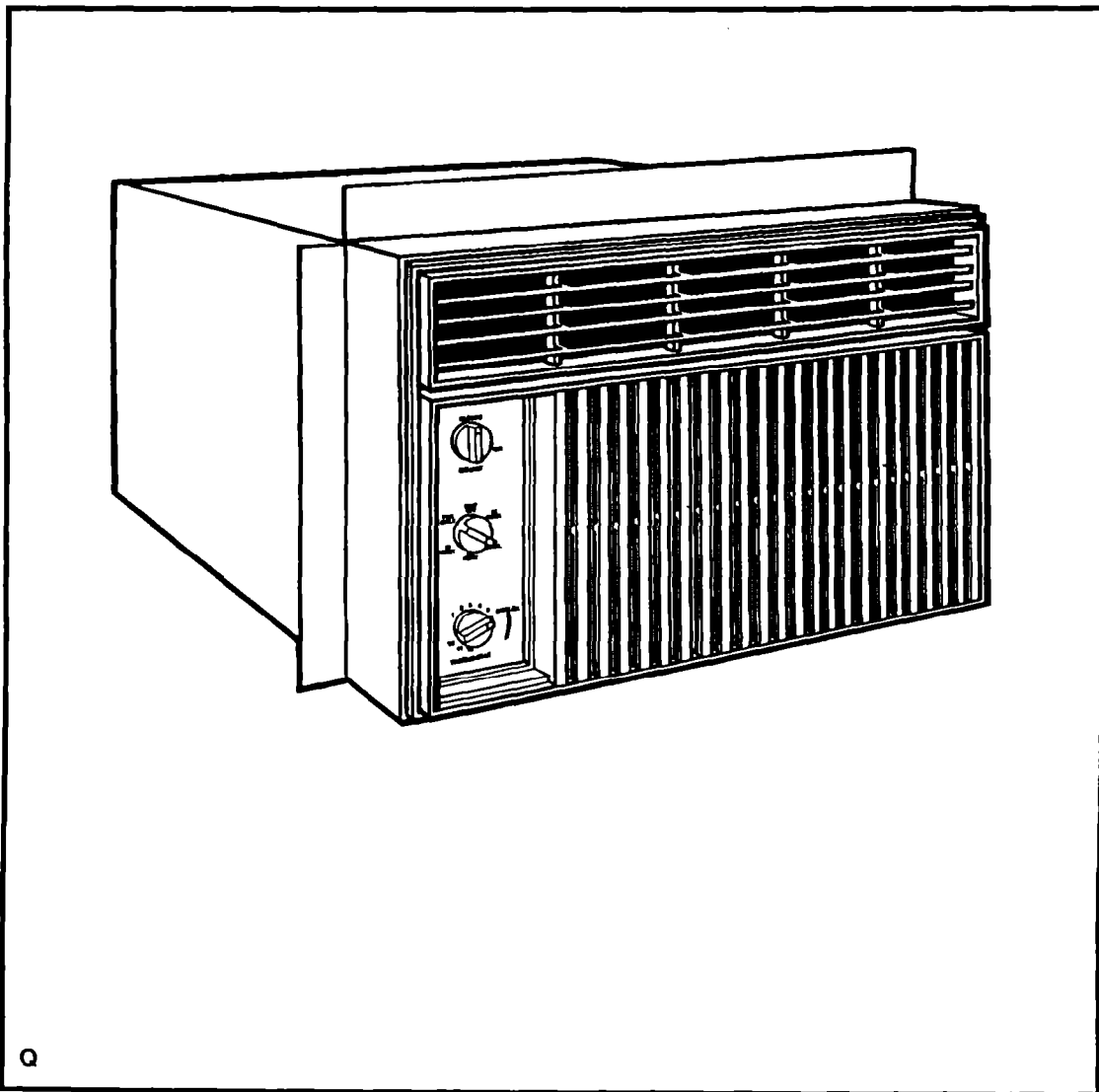


AIR CONDITIONERS

Installation Instructions and Use & Care Guide



Contents

	Page
Important Safety Instructions	2
Electrical Requirements	3
Installation Instructions	8
Window installation	8
Through-the-wall installation	14
Operating Instructions	18
Starting your air conditioner	18
Using the HEAT settings	18
The exhaust control	19
Changing air direction	19
Cleaning Instructions	20
Cleaning front panel and filter	20
Maintenance Instructions	21
Annual maintenance	21
Oiling the fan motor	22
Energy saving tips	22
If You Need Service Or Assistance	23
Warranty	28

Thank you for buying this appliance. Please complete and mail the Owner Registration Card provided with this product. Then complete the form below. Have this information ready if you need service or call with a question.

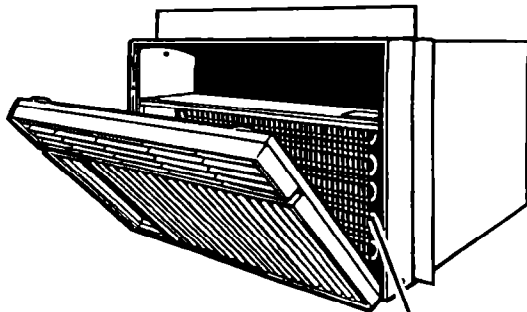
- Copy model and serial numbers from label (see diagram below) and purchase date from sales slip.
- Keep this book and sales slip together in a handy place.

Model Number

Serial Number

Purchase Date

Service Company Phone Number



Model and
serial number
label

Important Safety Instructions

⚠ WARNING

To reduce the risk of fire, electrical shock or personal injury when using your air conditioner, follow these basic precautions:

- Read all instructions before using your air conditioner.
- Complete the installation requirements as described in "Installation Instructions" on pages 8-17.
- Never allow children to operate or play with the air conditioner.
- Do not operate the air conditioner with the front panel removed.
- Never clean air conditioner parts with flammable fluids. The fumes can create a fire hazard or explosion.

• FOR YOUR SAFETY •

DO NOT STORE OR USE GASOLINE OR OTHER FLAMMABLE VAPORS AND LIQUIDS IN THE VICINITY OF THIS OR ANY OTHER APPLIANCE. THE FUMES CAN CREATE A FIRE HAZARD OR EXPLOSION.

It is your responsibility to be sure your air conditioner:

- Is installed in a window or wall that will hold the weight, and is secured according to the Installation Instructions.
- Is connected only to the proper kind of outlet, with the correct electrical supply and grounding. (See "Electrical Requirements" on pages 3-7.)
- Is the correct size for the area you want to cool.
- Is used only for the job it was designed to do.
- Is not used by children or anyone unable to operate it properly.
- Is properly maintained.

Also, remove Energy Label and Buy Guide. Use a damp cloth to take off any glue residue. Do not use sharp instruments, flammable fluids or abrasive cleaners. These can damage the material.

—SAVE THESE INSTRUCTIONS—

Electrical Requirements

Below are electrical plug variations, choose the one which matches the ampere rating of your unit. Your model's ampere rating is printed on the model and serial number label, attached to the unit, behind the front panel. (See diagram on page 2.)

OBSERVE ALL LOCAL CODES AND ORDINANCES.

DO NOT, UNDER ANY CIRCUMSTANCES, REMOVE THE POWER SUPPLY CORD GROUNDING PRONG.

NOTE: If codes permit and a separate grounding wire is used, it is recommended that a qualified electrician determine that the grounding path is adequate and not interrupted by plastic, non-metallic gaskets or other insulating materials.

⚠ WARNING

Electrical Shock Hazard

- Electrical ground is required on this appliance.
 - If cold water pipe is interrupted by plastic, non-metallic gaskets or other insulating materials, DO NOT use for grounding.
 - DO NOT ground to a gas pipe.
 - DO NOT modify the power supply cord plug. If it does not fit the outlet, have a proper outlet installed by a qualified electrician.
 - DO NOT have a fuse in the neutral or grounding circuit. A fuse in the neutral or grounding circuit could result in an electrical shock.
 - DO NOT use an extension cord with this appliance.
 - Check with a qualified electrician if you are in doubt as to whether the appliance is properly grounded.
- Failure to follow these instructions could result in serious injury or death.

PLUG TYPE	ELECTRICAL REQUIREMENTS	SEE PAGE
	115 volt models with amperes up through 12.0	4
	230 and 230/208 volt models with amperes up through 12.0	5
	230 and 230/208 volt models with amperes up through 16.0	6
	230 and 230/208 volt models with amperes up through 24.0	7

115 volt models with amperes up through 12.0

Receptacle wiring

Receptacle wiring should be a minimum of 14 gauge. Use copper wire only. It is the responsibility of the consumer to provide proper and adequate receptacle wiring, installed by a qualified electrician. Observe National Electrical Code and all local governing codes and ordinances.

Electrical requirements

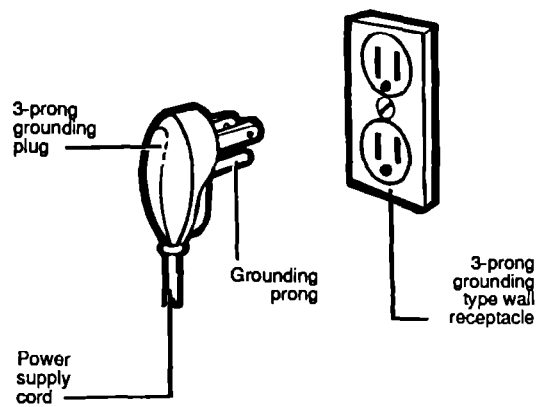
A 115 volt (103.5 min., 126.5 max.), 60 Hz, AC only, 15 ampere fused electrical supply is required (time delay fuse or time delay circuit breaker required). It is **required** that a separate circuit, serving only this appliance, be provided.

Electrical connection

Electrical ground is required on this appliance.

Recommended grounding method

For your personal safety, this appliance must be grounded. This air conditioner is equipped with a power supply cord having a 3-prong grounding plug. To minimize possible shock hazard, the cord must be plugged into a mating 3-prong grounding-type wall receptacle, grounded in accordance with the National Electrical Code (ANSI/NFPA 70-latest edition) and local codes and ordinances. If a mating wall receptacle is not available, it is the responsibility of the customer to have a properly grounded 3-prong wall receptacle installed by a qualified electrician.



230 and 230/208 volt models with amperes up through 12.0

Receptacle wiring

Receptacle wiring should be a minimum of 14 gauge. Use copper wire only. It is the responsibility of the consumer to provide proper and adequate receptacle wiring, installed by a qualified electrician. Observe National Electrical Code and all local governing codes and ordinances.

Electrical requirements

A 230 volt (207 min., 253 max.), 60 Hz, AC only, 15 ampere fused electrical supply is required (time delay fuse or time delay circuit breaker required). It is **required** that a separate circuit, serving only this appliance, be provided.

OR

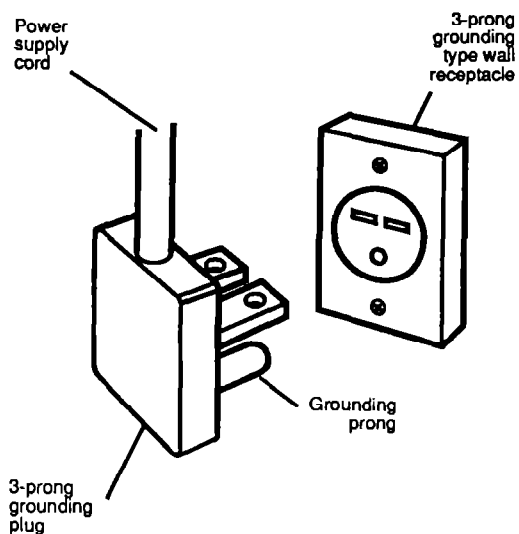
A 230/208 volt (197.6 min., 253 max.), 60 Hz, AC only, 15 ampere fused electrical supply is required (time delay fuse or time delay circuit breaker required). It is **required** that a separate circuit, serving only this appliance, be provided.

Electrical connection

Electrical ground is required on this appliance.

Recommended grounding method

For your personal safety, this appliance must be grounded. This air conditioner is equipped with a power supply cord having a 3-prong grounding plug. To minimize possible shock hazard, the cord must be plugged into a mating 3-prong grounding-type wall receptacle, grounded in accordance with the National Electrical Code (ANSI/NFPA 70-latest edition) and local codes and ordinances. If a mating wall receptacle is not available, it is the responsibility of the customer to have a properly grounded 3-prong wall receptacle installed by a qualified electrician.



230 and 230/208 volt models with amperes up through 16.0

Receptacle wiring

Receptacle wiring should be a minimum of 12 gauge. Use copper wire only. It is the responsibility of the consumer to provide proper and adequate receptacle wiring, installed by a qualified electrician. Observe National Electrical Code and all local governing codes and ordinances.

Electrical requirements

A 230 volt (207 min., 253 max.), 60 Hz, AC only, 20 ampere fused electrical supply is required (time delay fuse or time delay circuit breaker required). It is **required** that a separate circuit, serving only this appliance, be provided.

OR

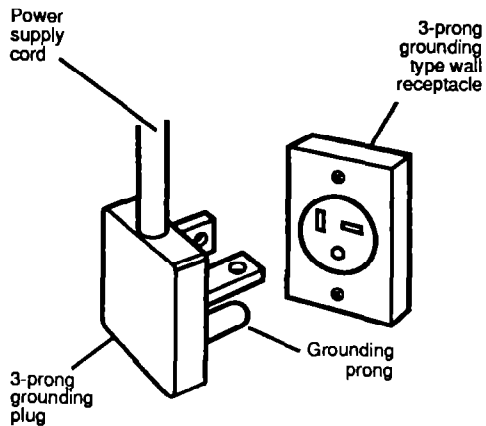
A 230/208 volt (197.6 min., 253 max.), 60 Hz, AC only, 20 ampere fused electrical supply is required (time delay fuse or time delay circuit breaker required). It is **required** that a separate circuit, serving only this appliance, be provided.

Electrical connection

Electrical ground is required on this appliance.

Recommended grounding method

For your personal safety, this appliance must be grounded. This air conditioner is equipped with a power supply cord having a 3-prong grounding plug. To minimize possible shock hazard, the cord must be plugged into a mating 3-prong grounding-type wall receptacle, grounded in accordance with the National Electrical Code (ANSI/NFPA 70-latest edition) and local codes and ordinances. If a mating wall receptacle is not available, it is the responsibility of the customer to have a properly grounded 3-prong wall receptacle installed by a qualified electrician.



230 and 230/208 volt models with amperes up through 24.0

Receptacle wiring

Receptacle wiring should be a minimum of 10 gauge. Use copper wire only. It is the responsibility of the consumer to provide proper and adequate receptacle wiring, installed by a qualified electrician. Observe National Electrical Code and all local governing codes and ordinances.

Electrical requirements

A 230 volt (207 min., 253 max.), 60 Hz, AC only, 30 ampere (cartridge type) fused electrical supply is required (time delay fuse or time delay circuit breaker required). It is **required** that a separate circuit, serving only this appliance, be provided.

OR

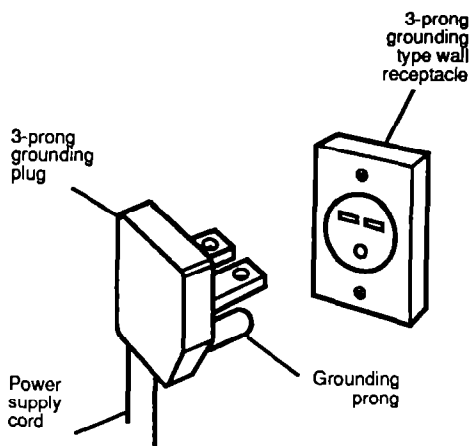
A 230/208 volt (197.6 min., 253 max.), 60 Hz, AC only, 30 ampere (cartridge type) fused electrical supply is required (time delay fuse or time delay circuit breaker required). It is **required** that a separate circuit, serving only this appliance, be provided.

Electrical connection

Electrical ground is required on this appliance.

Recommended grounding method

For your personal safety, this appliance must be grounded. This air conditioner is equipped with a power supply cord having a 3-prong grounding plug. To minimize possible shock hazard, the cord must be plugged into a mating 3-prong grounding-type wall receptacle, grounded in accordance with the National Electrical Code (ANSI/NFPA 70-latest edition) and local codes and ordinances. If a mating wall receptacle is not available, it is the responsibility of the customer to have a properly grounded 3-prong wall receptacle installed by a qualified electrician.



Installation Instructions

Window installation

To help avoid any installation problems and to help ensure trouble-free performance of your new air conditioner, read these installation instructions, as well as your operating instructions and electrical requirements **before** installing your unit.

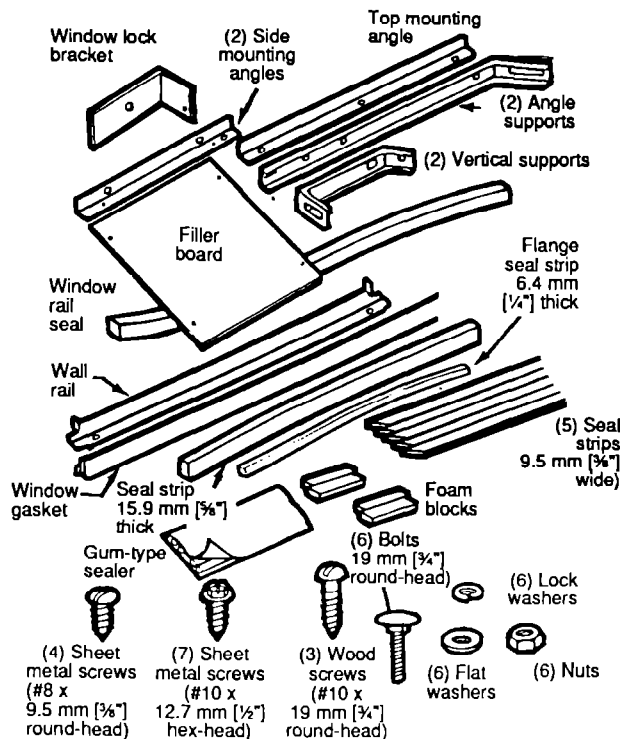
⚠ WARNING

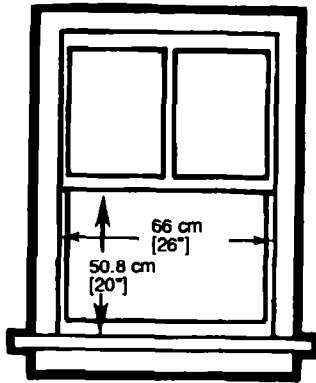
Personal Injury and Product Damage Hazard

- Because this air conditioner weighs about 56.3 to 90 kg (125 to 200 pounds), it is recommended that you have someone help you install your new unit and that you both use proper lifting techniques.
- Inspect the condition of the window where the air conditioner will be installed. Be sure it will support the weight of the unit.
- This appliance must be installed according to all applicable codes and ordinances.
- Handle the air conditioner with care. Watch out for the sharp metal fins on the front and rear coils.
- Be sure your air conditioner does not fall during installation.
- Do not use the water collected in unit for drinking purposes. It is not sanitary.

Failure to follow the above precautions could result in personal injury or product damage.

1. Unpack accessory parts before installing your air conditioner. Make sure you have all the necessary parts. A normal installation can be made with a screwdriver, saw, small level, pocket knife, tape measure, 11 mm (7/16") socket wrench, drill and 3.2 mm (1/8") drill bit.

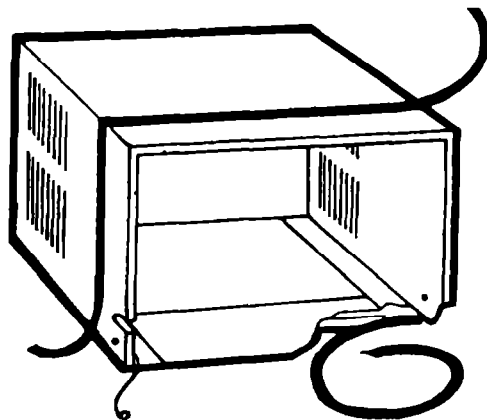
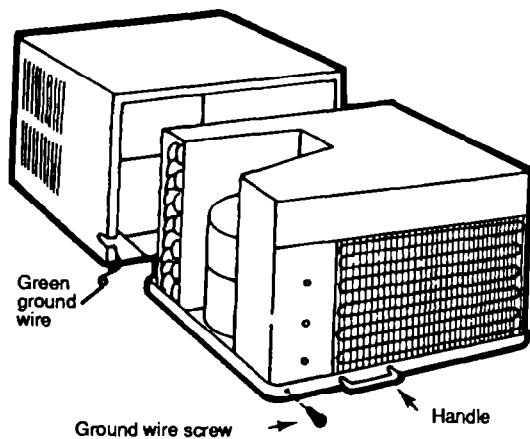




2. **Pick the right window.** First, decide what room(s) you want to cool. Then choose a window that will allow the air-conditioned air to flow freely and directly into the room(s) you want cooled. Remember, it's difficult to move air around corners. Choose a window that is also near an electrical outlet. (See "Electrical Requirements" on pages 3-7 for receptacle and wiring needs.) **Do not use an extension cord.**

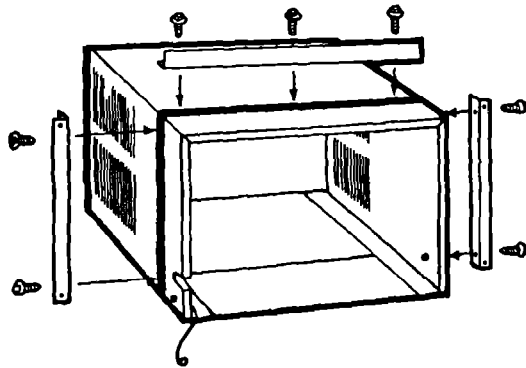
The window in which you place your air conditioner should have an opening of at least 66 cm (26 inches) in width and at least 50.8 cm (20 inches) in height. Standard installation parts are supplied for double-hung sash windows up to 137 cm (54 inches) in width.

3. **Remove front panel by pushing top of panel down and out.** This protects the panel from damage and makes the air conditioner easier to handle during installation.
4. **Slide unit out of cabinet.** First, disconnect the green ground wire at the left-front corner of base of unit by removing retaining screw (save screw for reuse in step 18). Now slide unit out of cabinet by pulling out on handle at base of unit.

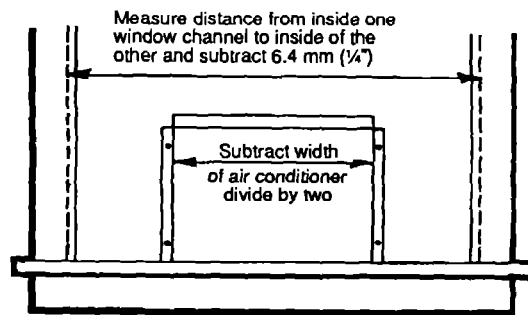


5. **Attach seal strips to cabinet.** Place 9.5 mm ($\frac{3}{8}$ "-wide self-adhesive seal strip on window side of bottom flange. Now, starting at the lower corner of the cabinet, apply 9.5 mm ($\frac{3}{8}$ "-wide seal strips over the center line of the pre-drilled holes for one of the side mounting angles, over the center line of pre-drilled holes for the top mounting channel, and over the center line of pre-drilled holes for the other side mounting angle.

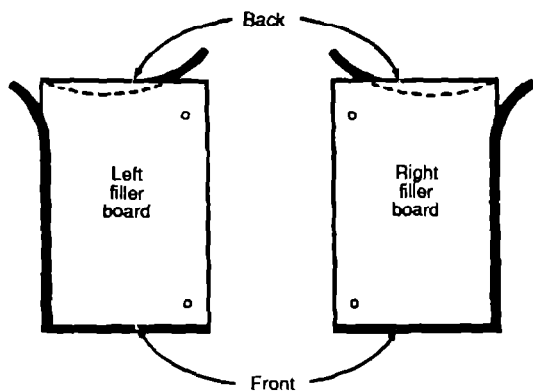
**Installation Instructions
Continued**



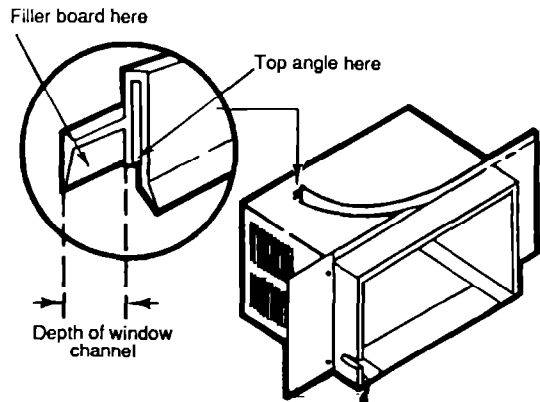
6. Attach side mounting angles to the sides of the cabinet by using 4 hex-head sheet metal screws. Punch holes in seal strip before driving screws. Be sure flange of each side mounting angle faces inside. Now attach top mounting angle to cabinet by using 3 hex-head sheet metal screws. Again, be sure flange is facing inside.



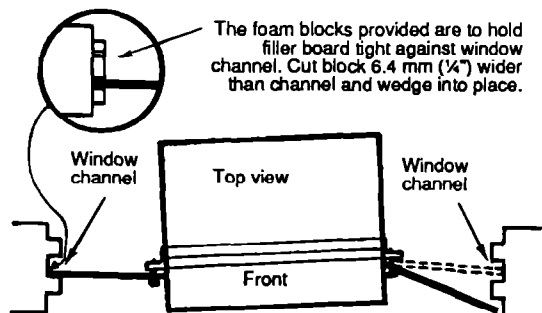
7. Measure and cut filler board to proper sizes. First, measure the distance from inside one window channel to the inside of the other channel and subtract 6.4 mm ($\frac{1}{4}$ "). Now subtract the width of the air conditioner and divide by 2. This will give you the width to cut each filler board. Be sure to cut the filler board across the mid-section of its longest measurement. Because the filler boards will be equal in width, they will automatically center your air conditioner in the window.



8. Apply seal strips and attach filler boards. Determine which will be your left and right filler boards. The holes on each board should align with the holes in the side mounting angles. Each filler board should also extend about 1.3 cm ($\frac{1}{2}$ ") above the top edge of the air conditioner cabinet. Now apply 9.5 mm ($\frac{3}{8}$ ") wide seal strips on the room side of each filler board along the bottom and window channel edges. Now attach the filler boards to the side mounting angles with 4 round-headed sheet metal screws. Tighten the screws only loosely, so the filler boards can be moved back and forth.



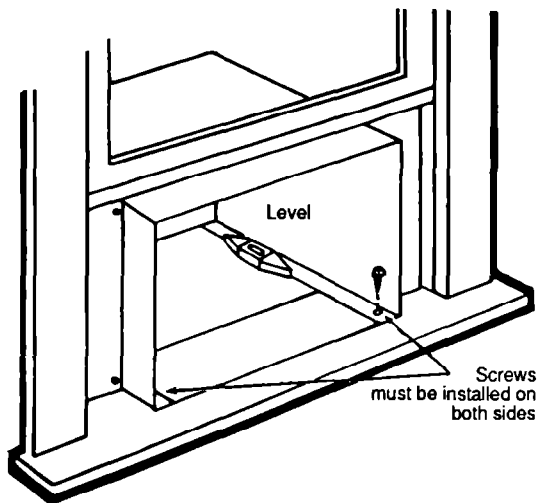
9. Place window gasket over top mounting angle and filler boards. First, measure depth of window channel. Cut notch on end of window gasket to the same depth. Next, measure window width between window channels (include full depth of window channels). Now cut gasket to proper length. Cut unnotched end of gasket to match the notched end. Place gasket along groove over top mounting angle; place short rear groove over filler boards with long side facing inside.



10. Place cabinet in window by turning cabinet to one side to get one filler board into window channel. Now maneuver other filler board into window channel. Reaching through window opening, push filler boards from outside as far toward you as they will go. Be sure to use the foam blocks that are provided.

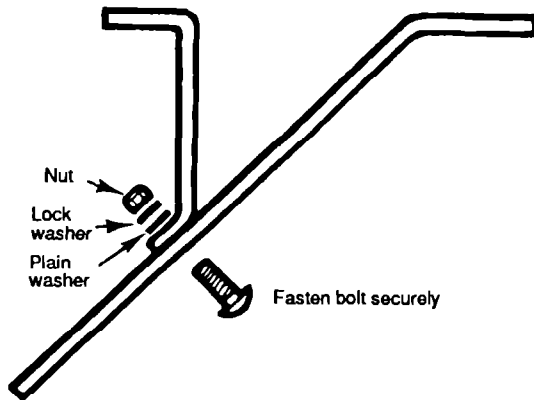
CAUTION

Be sure the cabinet does not fall out of window.

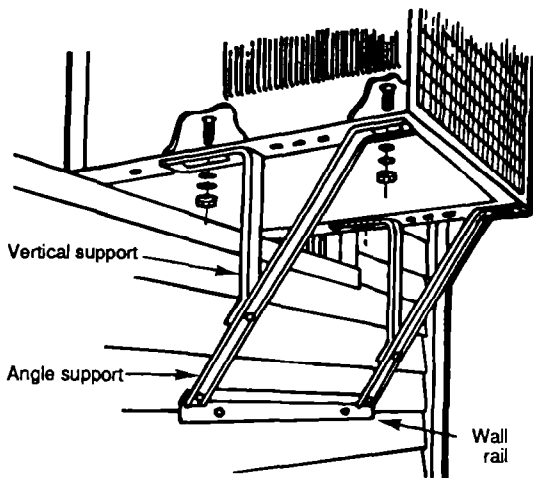


11. Lower window and level air conditioner. Lower the window firmly behind window gasket. Leveling the cabinet is not required in a normal installation since the proper slope is designed into the product. However, be sure you have approximately a 1/2 bubble (15.9 mm [5/8"]) downward tilt to the outside for proper water drainage. If necessary, reposition or shim cabinet to provide the proper tilt or side-to-side leveling. Now, tighten all 4 filler board screws. Be sure cabinet bottom flange is against rear of window sill for proper seal. Finally, make 2 pilot holes (3.2 mm [1/8"]) into the window sill, using the holes in the cabinet as a guide. Use 2 wood screws to secure the bottom of the cabinet to the window sill.

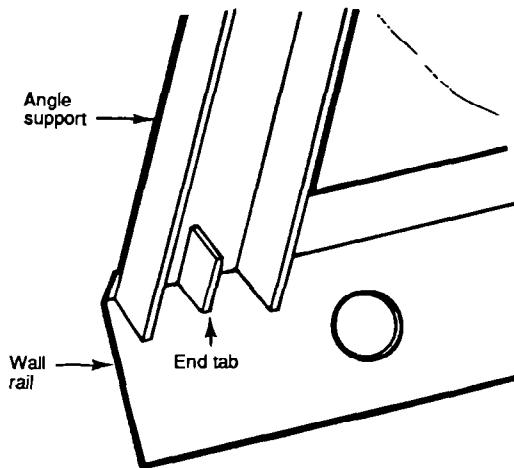
Installation Instructions
Continued



12. Construct outside support assemblies by fastening vertical and angle supports together with 19 mm (3/4") bolts, washers and nuts. Tighten securely.



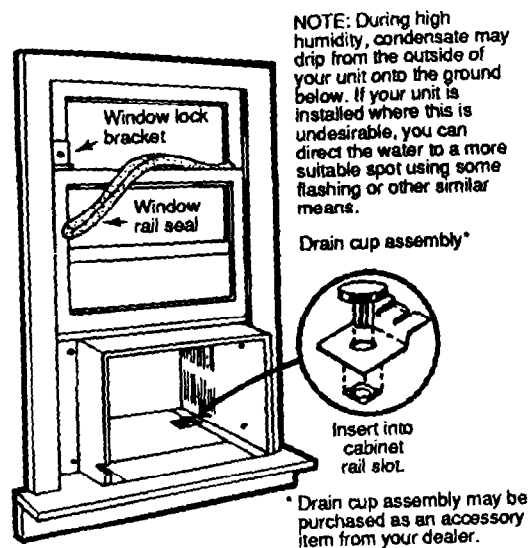
13. Position support assemblies against bottom rail of cabinet and slide toward house, allowing approximately 2.5 cm (1") clearance between end of angle support and wall. Select proper sets of square holes in cabinet rails and fasten support assemblies to cabinet rails by using 19 mm (3/4") bolts, washers and nuts. Do not tighten nuts. Leave assembly loose, so you can make adjustments to support assemblies later.



14. Insert end tabs on wall rail through slot in each support assembly. Slide each support assembly toward house. Be sure wall rail is positioned firmly against exterior wall.

NOTE: If your house is constructed of a material that could be damaged by the wall mounting support, fasten a board between wall rail and side of house.

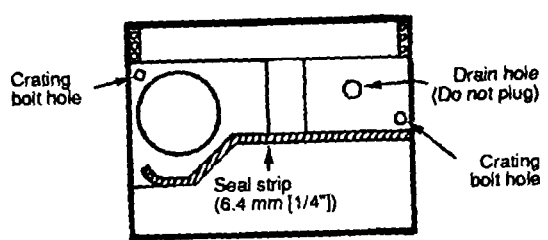
15. Tighten nuts securely. Tighten the nuts closest to the wall last to ensure that the wall rails fit snugly against your house.



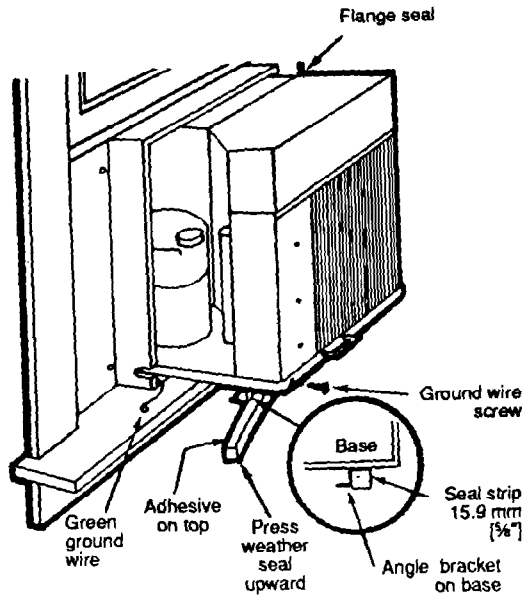
16. Install window rail seal and window lock bracket and drain cup. Press foam meeting rail seal into place and cut to proper length. Make a mark and drill a pilot hole 3.2 mm (1/8"), then install lock bracket using a wood screw. Seal small openings around installation with gum-type sealer.

CAUTION

Window lock bracket must be installed at all times to be sure air conditioner does not fall out of window. Remove only when you wish to remove air conditioner from window.



17. Apply seal strip to top of unit flange as shown at left. Plug 2 crating bolt holes (6.4 mm [1/4"] diameter) with gum type sealer to prevent water dripping from these holes.



18. Insert air conditioner into cabinet. Slide unit only 3/4 of the way into the cabinet. Do not push against sharp fins and plastic parts. Apply 15.9 mm (5/8")-thick seal strip onto bottom of unit base as shown at left. Now push unit all the way into the cabinet being sure angle bracket on base clears bottom front edge of cabinet. Attach green ground wire to the left-front corner of unit base by using ground wire screw.

WARNING

Electrical Shock Hazard

Keep wire connected whenever air conditioner is in cabinet. Failure to do so could result in electrical shock during operation and maintenance.

19. Attach front panel by placing bottom edge on clips and pushing top down, then in and up.

Through-the-wall installation

It is the responsibility and obligation of the customer to have this product installed by a qualified technician familiar with through-the-wall installation.

OR

If you choose to install the air conditioner yourself, read all installation instructions, as well as the electrical requirements and operating instructions **before** installing your unit. This will help to avoid any installation problems and will help ensure trouble-free performance of your new air conditioner.

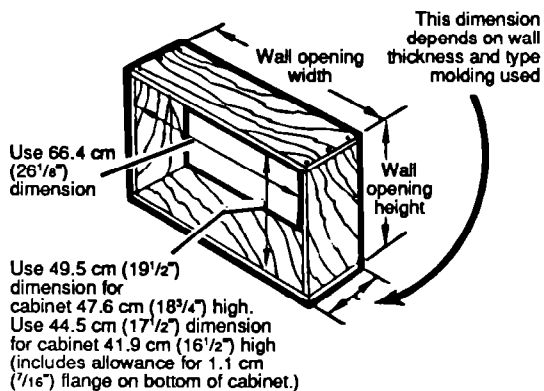
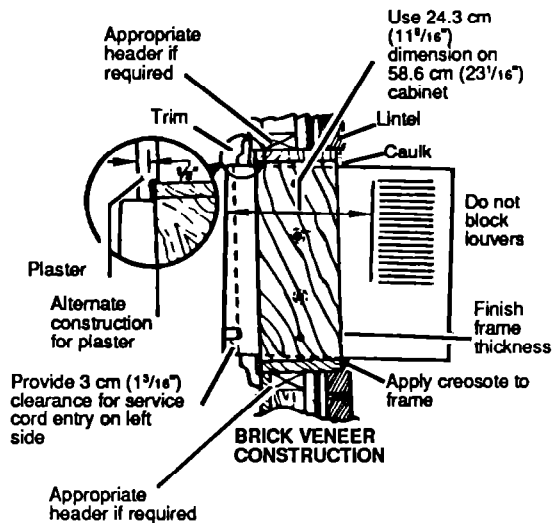
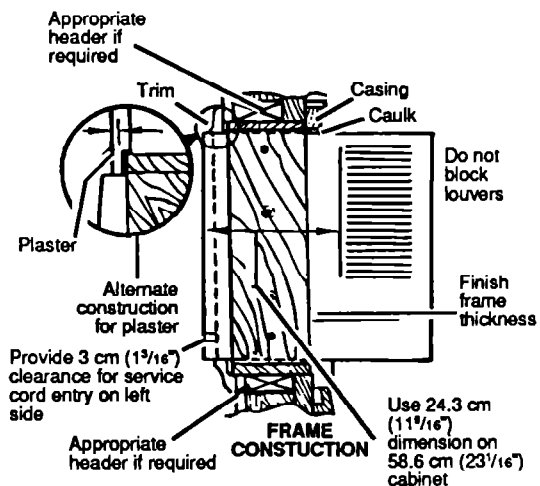
⚠ WARNING

Personal Injury and Product Damage Hazard

- Because this air conditioner weighs about 56.3 to 90 kg (125 to 200 pounds), it is recommended that you have someone help you install your new unit and that you both use proper lifting techniques.
- Inspect the condition of the wall where the air conditioner will be installed. Be sure it will support the weight of the unit.
- This appliance must be installed according to all applicable codes and ordinances.
- Handle the air conditioner with care. Watch out for the sharp metal fins on the front and rear coils.
- Be sure your air conditioner does not fall during installation.
- Do not install air conditioner where plastic cabinet front will be exposed to a heat source that raises the surface temperature above 49°C (120°F).
- Do not use the water collected in unit for drinking purposes. It is not sanitary.

Failure to follow the above precautions could result in personal injury or product damage.

1. **Pick the right wall.** First, decide what room(s) you want to cool. Then choose a wall that will allow the air-conditioned air to flow freely and directly into the room(s) you want cooled. Remember, it's difficult to move air around corners. Choose a location that is also near an electrical outlet. (See "Electrical Requirements" on pages 3-7 for receptacle and wiring needs.) **Do not use an extension cord.**



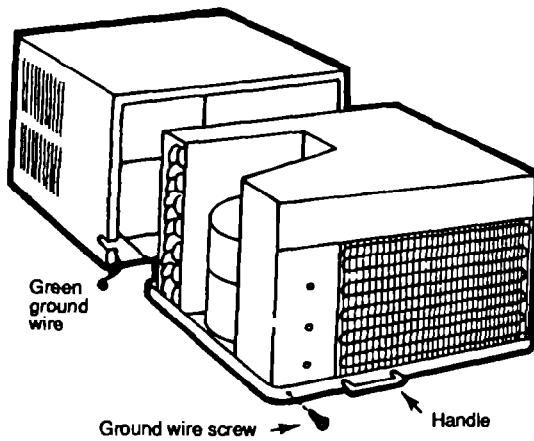
2. Choose the type of decorative molding you want to use around the room side of the cabinet. Your choice affects the finish frame alignment with the inside wall. When using a wood, metal or plastic molding, the finish frame should almost line up with the inside wall. If the wall is plastered to the cabinet and no molding is used, the finish frame must be set into the wall by 12.7 mm ($\frac{1}{2}$ "). (See top figure at left for frame construction. See middle figure at left for brick veneer construction.) Cut through two studs for support.

3. Provide an opening through the wall for a finish frame. Observe all local governing codes and ordinances. For wall opening dimensions, use those shown at left and add wood frame thickness (use 2.5 cm [1"] lumber or heavier). When determining finish frame thickness, be sure you do not cover side cabinet louvers. A 10.2 cm (4") minimum clearance between side cabinet louvers and adjoining wall allows for proper airflow into air conditioner.

4. Construct finish frame. Apply creosote (or an equivalent) to the outside exposed surface.

5. Install finish frame in the wall opening. Square and level frame and nail it securely to the studs.

**Installation Instructions
Continued**



6. Remove front panel by pushing top down and out. This protects the panel from damage and makes the air conditioner easier to handle during installation.

7. Slide unit out of cabinet. First, disconnect the green ground wire at the left-front corner of base unit by removing retaining screw (save for reuse in step 12). Now slide unit out of cabinet by pulling on handle at base of unit.

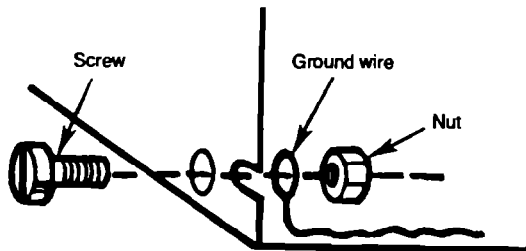
8. Insert exterior cabinet through wall opening. Leave 12.7 mm ($\frac{1}{2}$ " minimum overhang into the room at top of cabinet, after allowing for trim. For proper outward water drainage, shim or re-position cabinet to provide the proper downward tilt to the outside ($\frac{1}{2}$ bubble or 2.5 cm [1"]) and side-to-side leveling.

9. Fill all spaces between cabinet and finish frame with insulation.

10. Drill holes in the cabinet and attach it securely to finish frame. Use 10 #10 x 2.5 cm (1") wood screws (4 screws for each side and 2 screws for the top—screws are not included). Do not overtighten screws or cabinet will distort and provide a poor air seal between cabinet and unit.

11. Insert air conditioner into cabinet. Do not push against sharp fins and plastic parts.

12. Attach green ground wire to the left-front corner of unit base by using retainer screw.

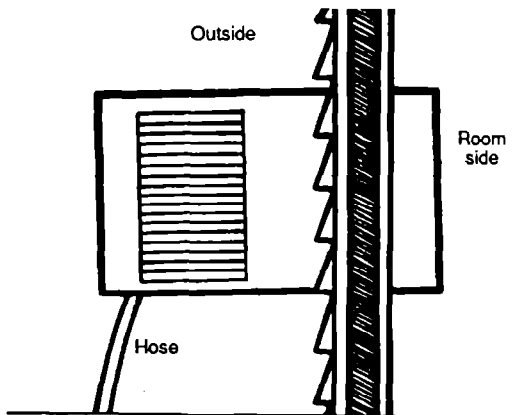


⚠ WARNING

Electrical Shock Hazard

Keep wire connected whenever air conditioner is in cabinet. Failure to do so could result in electrical shock during operation and maintenance.

13. Attach front panel by placing bottom edge on clips and pushing top down, then in and up.



14. **Caulk all outside wall openings around cabinet.**
15. **If needed, install molding around room side of cabinet.**
16. **OPTIONAL:** During high humidity, condensate may drip from the outside of your air conditioner onto the ground below. If your air conditioner is installed where this is undesirable, you can direct the water to a more suitable spot by simply attaching a 1.6 cm ($\frac{5}{8}$ ") inside-diameter, thin walled hose to the drain spout at rear of cabinet (see figure at left). On models without plastic drain-cup spout, use flashing as needed to guide water.

NOTE: Now refer to "Electrical Requirements" on pages 3-7 and "Starting your air conditioner" on page 18.

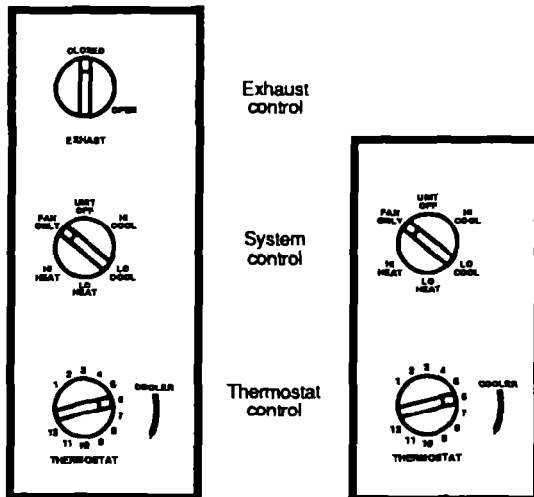
Operating Instructions

Starting your air conditioner

⚠ WARNING

Electrical Shock Hazard

- Plug unit only into grounded electrical outlet.
 - Do not use an extension cord.
 - Do not operate unit with front removed.
- Failure to follow the above precautions could result in electrical shock or personal injury.



1. Set Exhaust Control (if your unit is so equipped) to CLOSED for maximum cooling or heating results.
2. Set System Control to the desired setting.

LO COOLfor sleeping comfort
 HI COOLfor maximum cooling
 FAN ONLYfor circulating room air when no cooling is desired

LO HEATfor reduced air movement with heat
 HI HEATfor maximum air movement with heat

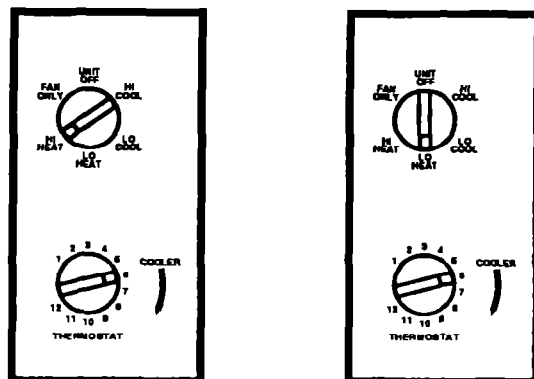
3. Turn the Thermostat Control to number 6 (mid-setting). You can adjust the air conditioner's cooling performance by resetting the Thermostat Control to a higher number for maximum cooling. Lower the number setting for less cooling. You will need to experiment to find the setting which suits you best.

NOTE: If you turn your air conditioner off or if the compressor turns off when lowering the Thermostat Control, wait at least three minutes before turning it back on or you may blow a fuse or trip a circuit breaker.

Using the HEAT settings

Turn the Thermostat Control to number 6 (mid-setting). You can adjust the air conditioner's heating performance by resetting the thermostat control to a lower number for more heat. Turn to a higher number for less heat.

NOTE: This product is not designed to be used as a primary heat source. It is intended for supplemental heating only.

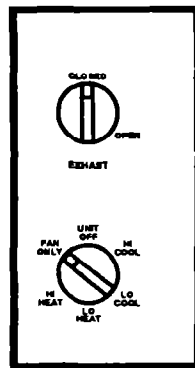
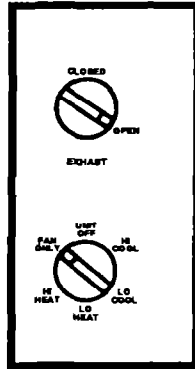


The exhaust control (on some models)

The Exhaust Control setting draws stale or smoky air from the room without cooling or heating.

1. To exhaust room air:

- Set Exhaust Control to OPEN.
- If no cooling or heating is desired, use FAN ONLY setting.
- For cooling, set System Control to desired COOL setting.
- For heating, set System Control to desired HEAT setting.



2. To circulate room air:

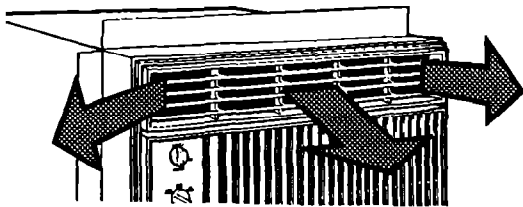
- Set Exhaust Control to CLOSED.
- If no cooling or heating is desired, use FAN ONLY setting.
- For cooling, set System Control to desired COOL setting.
- For heating, set System Control to desired HEAT setting.

NOTE: For maximum performance, the Exhaust Control must be in the CLOSED position when cooling, heating or room air circulation is desired.

Changing air direction

The louvers in the grille area at the top of the air conditioner control the directions of the conditioned air.

- Move tabs at bottom of the grille in the direction you want the air to go (right, left or straight ahead).
- On most models, the louvers can only be adjusted left or right. The front set is fixed and directed upward.
- On some models, airflow can be directed up or down. Move tab in the center louver to direct air.



Cleaning Instructions

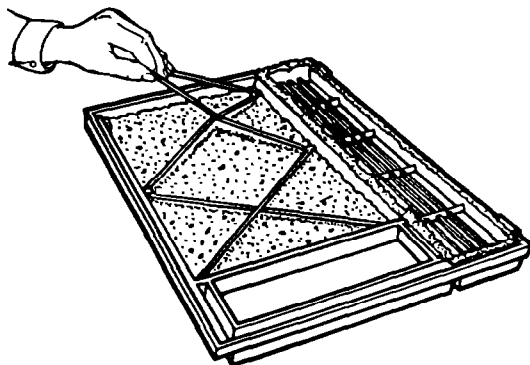
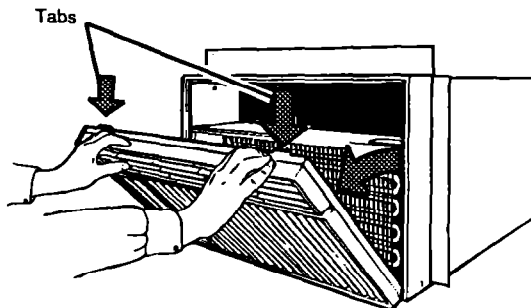
Proper use and care of your air conditioner will help ensure longer life of the unit and lower operating costs. Follow these instructions carefully. Call your local servicing dealer for an annual checkup.

Cleaning front panel and filter

⚠ WARNING

Electrical Shock, Personal Injury and Product Damage Hazard

- **Unplug power cord from receptacle before cleaning unit. Failure to do so could result in electrical shock or personal injury.**
- **Handle the air conditioner with care. The metal fins on the coils are sharp. Failure to do so could result in personal injury.**
- **Do not use cleaning fluids, solvents, abrasive cleaners, or strong detergents. They may damage the parts.**



1. Unplug power cord.
2. Remove the front panel from unit for cleaning. Press down at top of front panel to release it from top of cabinet.
3. Pull top of front panel toward you.
4. Lift up and away from bottom spring clips.
5. Remove filter from front panel by removing elastic band which holds it in place.
6. Clean filter by using a vacuum cleaner or, if very dirty, wash filter with warm water and a mild detergent. Air dry thoroughly before replacing. **Do not use a hot air dryer on filter.**
7. Clean front panel using a soft cloth with warm water and a mild detergent. Rinse and dry.
8. Replace filter and hold it in place with elastic band.
9. Wipe control panel clean with a soft, dry cloth.
10. Replace front panel. Locate bottom of panel on the spring clips. Press down on top edge of front panel and push front toward unit to secure upper tabs.
11. Reconnect power supply.

Maintenance Instructions

Annual maintenance

Your air conditioner needs annual maintenance to help ensure steady, top performance throughout the year.

Call the service company recommended by your dealer to:

- Inspect and clean the coils and condensate water passages.

- Check fan and fan motor.

The compressor is sealed and needs no oiling. Expense of annual inspection is customer's responsibility.

OR

If you are familiar with electrical appliances, you can do the cleaning and maintenance yourself. If you choose to do so, follow these steps:

⚠ WARNING

Electrical Shock and Personal Injury Hazard

- **Unplug power cord from receptacle before performing any maintenance. Be sure no liquid gets into the motor, electrical control box or compressor electrical terminals.**
 - **Because your air conditioner weighs from 56.3 to 90 kg (125 to 200 pounds), it is recommended that you have someone help you when you remove and re-install your unit and that you both use proper lifting techniques.**
 - **Handle the air conditioner with care. Watch out for the sharp metal fins on the front and rear condenser coils.**
 - **Do not use the collected water for drinking purposes. It is not sanitary.**
- Failure to follow the above precautions could result in electrical shock or personal injury.**

1. Unplug power cord.
2. Remove front panel. (See page 20 for instructions.)
3. Pull control knobs straight off. Remove the control plate.
4. Remove the green ground wire. It is attached with a screw located on the bottom left side, under the control plate. (Save the screw to reattach wire.)
5. Pull out handle and slide air conditioner out of cabinet.
NOTE: The air conditioner is heavy and should be removed by at least two people.
6. Wrap the motor, electrical control box and compressor terminal box in plastic film and make sure no water or other liquid gets inside any of these parts. It could damage the insulation and cause serious mechanical problems.
7. Carefully clean and hose out the base, condenser coils and condensate parts. Clean at least once a year—or more often if the condenser coil and pan collects dirt, sand, leaves, insects or algae. Also, clean if you detect an odor coming from the air conditioner. (A good time to oil the motor is when you already have the cabinet open. See "Oiling the fan motor" on page 22.)
8. Remove plastic film from motor and electrical parts.
9. Replace unit in cabinet.
10. Reattach ground wire. Replace control plate and knobs.
11. Replace front panel.
12. Reconnect power supply.

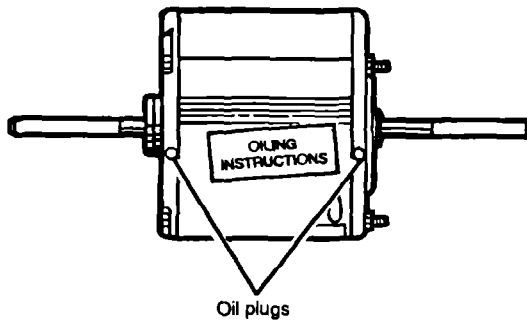
NOTE: It is a good idea to wait 24 hours before starting the unit again. This allows time for all areas to dry out. The water from rainfall or from normal operation does not harm these components.

Oiling the fan motor

⚠ WARNING

Electrical Shock Hazard

Unplug power cord from receptacle before oiling the fan motor. Failure to do so could result in electrical shock.



1. Unplug power cord.
2. Remove unit from cabinet. (Follow steps under "Annual maintenance" on page 21.)
3. Oil the fan motor per instructions on the motor. To add oil, remove the oil hole plug at each end of the motor. Use SAE #20 non-detergent oil.
4. Replace the plugs to keep dirt from motor bearings.
5. Replace unit in cabinet.
6. Reconnect power supply.

Energy saving tips

- Improve home insulation. Seal doors, windows, and close fireplace flue.
- Close blinds or drapes on sunny side of house. Add window awnings.
- Keep air filter clean. Do not block airflow with drapes or furniture.
- Ventilate attic (high temperature levels add to normal cooling load).
- Try not to use heat producing appliances during the hottest part of the day. Turn lights, radios, televisions and other appliances off when not needed.
- Keep heat registers and cool air returns closed or blocked off so cooled air won't escape.
- Use a vent fan in cooking, laundry or bathing areas to pull out heat and moisture near its source.

If You Need Service Or Assistance

We suggest you follow these steps:

Before calling for assistance ...

Performance problems often result from little things you can find and fix yourself without tools of any kind.

Air conditioner won't run:

- Is unit plugged into a live circuit with proper voltage?
- Is switch turned on?
- Is Thermostat Control set correctly?
- Have you checked your home's main fuses or circuit breaker box?
- Has the time-delay fuse blown or circuit breaker tripped?
- Has the local power failed?

Unit blows fuses or trips circuit breaker:

- Are time-delay fuses being used?
- Is an extension cord being used? (**Do not use an extension cord to run your air conditioner.**)
- Are you waiting three minutes after turning cooling circuit off before trying to restart unit?

Unit turns on and off, or does not cool room:

- Is filter clean?
- Are coils clean (both evaporator [inside] and condenser [outside])?
- Is there excessive moisture or heat (open vessel cooking, showers, etc.)?
- Try setting fan to higher speed.
- Try setting Thermostat Control to a cooler setting.

Unit turns on and off, or does not provide heat:

- Is filter clean?
- Are coils clean (both evaporator [inside] and condenser [outside])?
- Try setting fan to a higher setting.
- Try setting Thermostat Control to a warmer setting.
- Is the outside temperature below 7°C (45°F)?

Operating sounds:

When your room air conditioner is **operating normally**, you will hear sounds such as:

- Droplets of water hitting the condenser, causing a "pinging" or "clicking" sound. Water droplets help to cool the condenser.
 - Air movement from the fan, especially on high fan speed setting.
 - Clicks from the thermostat cycle.
- Sounds also may be caused by house construction—such as vibration of the unit due to wall construction or unsteady window mounting area.

**If You Need Service Or Assistance
Continued**

For service in the U.S.

1. If you need assistance* ...

Call our Consumer Assistance Center telephone number. Dial free from anywhere in the U.S.:

1-800-253-1301

and talk with one of our trained consultants. The consultant can instruct you in how to obtain satisfactory operation from your appliance or, if service is necessary, recommend a qualified service company in your area.

2. If you need service* ...

We have a nationwide network of authorized service companies. Our service technicians are trained to fulfill the product warranty and provide after-warranty service, anywhere in the United States. To locate the authorized service company in your area, call our Consumer Assistance Center telephone number (see Step 1) or look in your telephone directory Yellow Page under:

**APPLIANCES – HOUSEHOLD –
MAJOR – SERVICE & REPAIR**

3. If you need replacement parts* ...

To locate replacement parts in your area, refer to Step 2 above or call our Consumer Assistance Center number in Step 1.

4. If you are not satisfied with how the problem was solved* ...

- Contact the Major Appliance Consumer Action Panel (MACAP). MACAP is a group of independent consumer experts that voices consumer views at the highest levels of the major appliance industry.
- Contact MACAP only when the dealer and authorized servicer have failed to resolve your problem.

Major Appliance Consumer Action Panel
20 North Wacker Drive
Chicago, IL 60606

- MACAP will in turn inform us of your action.

* When requesting assistance, please provide: model number, serial number, date of purchase, and a complete description of the problem. This information is needed in order to better respond to your request.

For service in Canada:

PROCARE APPLIANCE SERVICE-INGLIS LIMITED CONSUMER SERVICES

Direct service branches:

BRITISH COLUMBIA	Vancouver	Procure Appliance Service 2991 Grandview	604-432-7416
	Victoria	Procure Appliance Service 3117 Steele Street	604-386-2208
	Surrey	Procure Appliance Service Unit #2, 8145 - 130th St.	604-590-6422
ALBERTA	Calgary	Procure Appliance Service #15 6025 12th St. S.E.	403-253-9267
	Edmonton	Procure Appliance Service 12235 Fort Road	403-474-8576
ONTARIO	Toronto (Mississauga)	Procure Appliance Service 5945 Ambler Drive	416-624-2800
	Toronto (Markham)	Procure Appliance Service Unit #1, 110 Torbay Rd.	416-475-9511
	Windsor	Procure Appliance Service 3180 Grand Marais Ave. E.	519-944-3551
	London	Procure Appliance Service 317 Adelaide St. S., Suite 109	519-686-8633
	Hamilton	Procure Appliance Service 310 Kenora Avenue	416-560-7444
	Barrie	Procure Appliance Service 4 Alliance Blvd.	705-726-3922
	Ottawa	Procure Appliance Service 28 Capital Drive	613-225-0510
SASKATCHEWAN	Regina	Procure Appliance Service 660 Henderson Drive	306-569-9681
	Saskatoon	Procure Appliance Service 1505 Ontario Avenue	306-652-9285

continued on next page

**If You Need Service Or Assistance
Continued**

MANITOBA	Winnipeg	Procure Appliance Service 1683 Church Avenue	204-694-5308
QUEBEC	Montreal East	Procure Appliance Service 8620 Pie IX Blvd.	514-376-5260
	Montreal West	Procure Appliance Service 6230 Trans Canada Highway	514-735-8402
	Brossard	Procure Appliance Service 9605 F. Ignace St.	514-397-1840
	Chicoutimi	Procure Appliance Service 163 Bosse Street	418-543-0267
	Quebec City	Procure Appliance Service 5275 Boul. Wilfrid Hamel, Suite 140	418-871-5251
	Sherbrooke (Rock Forest)	Procure Appliance Service 483 Industrial Blvd.	819-564-6565
	Trois Rivières	Procure Appliance Service 6183 Corbeil St.	819-375-9674
NOVA SCOTIA	Dartmouth	Procure Appliance Service 10 Akerley Blvd., Suite 23	902-468-6634

For service in areas other than those listed, contact your Appliance Dealer.

Warranty

LENGTH OF WARRANTY	WE WILL PAY FOR
FULL ONE-YEAR WARRANTY From Date of Purchase	Replacement parts and repair labor to correct defects in materials or workmanship.
FULL FIVE-YEAR WARRANTY From Date of Purchase	Replacement parts and repair labor to correct defects in materials or workmanship in the sealed refrigeration system. These parts are: 1. Compressor 4. Drier-Strainer 2. Evaporator 5. Connecting Tubing 3. Condenser
WE WILL NOT PAY FOR	
<p>A. Service calls to:</p> <ol style="list-style-type: none"> 1. Correct the installation of the air conditioner. 2. Instruct you how to use the air conditioner. 3. Replace house fuses or correct house wiring. 4. Clean or replace air filter. <p>B. Pickup and delivery. This product is designed to be repaired in the home.</p> <p>C. Damage to the air conditioner caused by accident, misuse, fire, flood, acts of God or use of products not mentioned in this manual.</p> <p>D. The removal and reinstallation of the air conditioner if it is installed in an overhead or other inaccessible location or not installed in accordance with published installation instructions.</p>	

Service under the full warranties must be provided by an authorized service company. This warranty gives you specific legal rights, and you may also have other rights which vary from state to state.

Outside the United States, a different warranty may apply. For details, please contact your authorized distributor or military exchange.

If you need service, first see the "Service and Assistance" section of this book. After checking "Service and Assistance," additional help can be found by calling our Consumer Assistance Center telephone number, **1-800-253-1301**, from anywhere in the U.S. For service in Canada, see "Procure Appliance Service" on page 25 for the service branch in your area.

CLIMATISEURS

Consignes d'installation et guide d'emploi et d'entretien

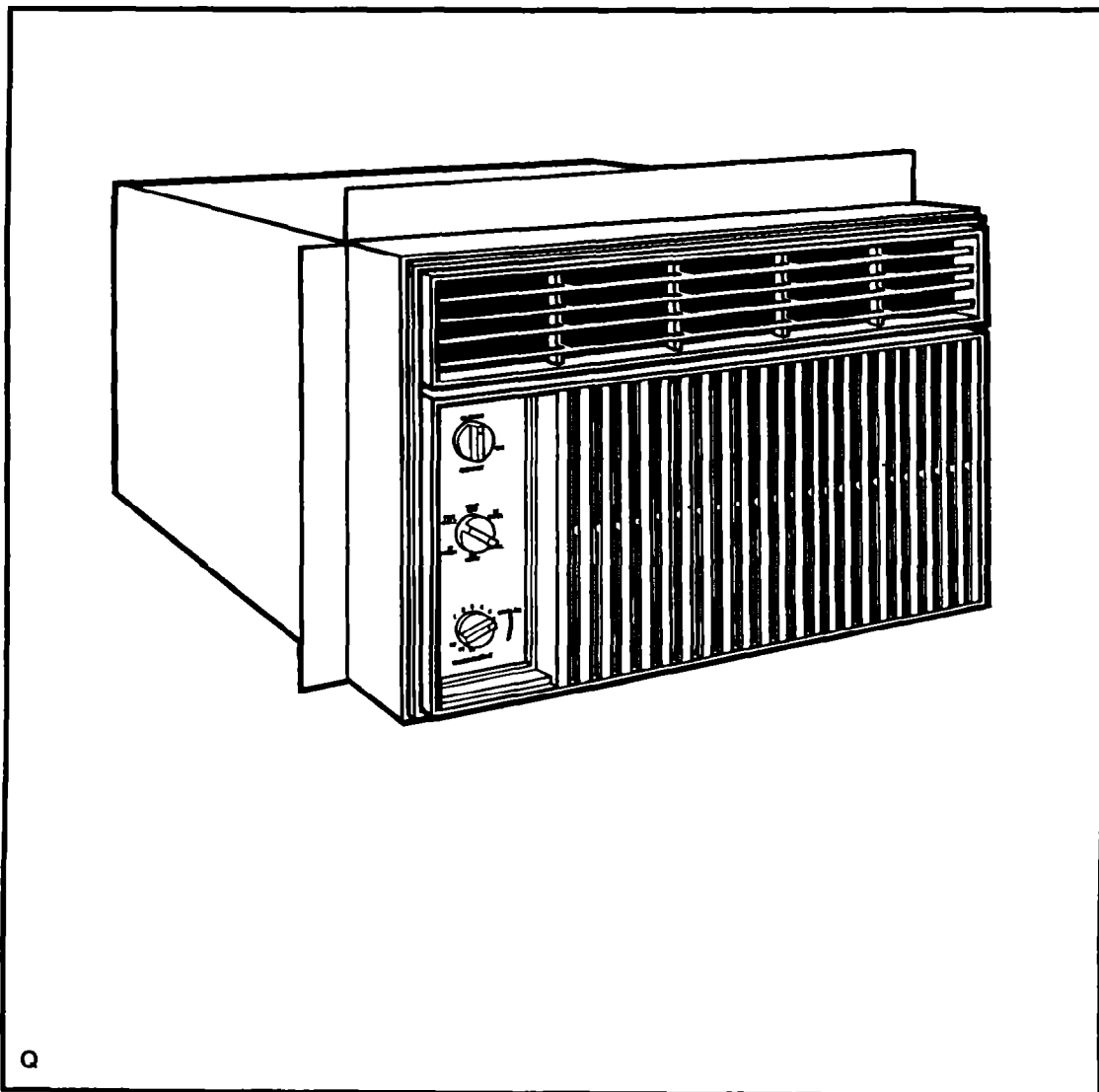


Table des matières

	Page
Importantes consignes de sécurité	2
Exigences électriques	3
Consignes d'installation	8
Installation sur fenêtre	8
Installation à travers le mur	14
Mode d'emploi	18
Mise en marche de votre climatiseur	18
Utilisation des réglages de CHAUFFAGE	18
La commande de l'échappement	19
Pour changer la direction de l'air	19
Consignes de nettoyage	20
Nettoyage du panneau avant et du filtre	20
Consignes d'entretien	21
Entretien annuel	21
Pour huiler le moteur du ventilateur	22
Conseils pour économiser l'énergie	22
Si vous avez besoin de service ou d'assistance	23
Garantie	28

Nous vous remercions d'avoir acheté cet appareil. Prière de remplir et de retourner la carte d'immatriculation du propriétaire fournie avec cet appareil. Puis veuillez remplir le formulaire ci-dessous. Ayez ces renseignements sous la main si vous avez besoin de service ou désirez poser une question.

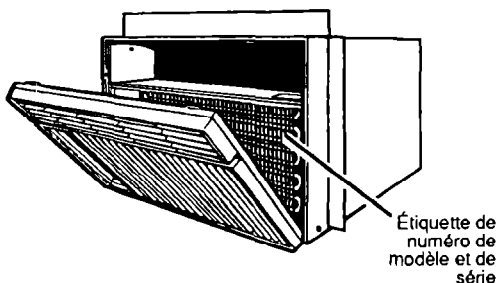
- Copier les numéros de modèle et de série provenant de l'étiquette (voir diagramme ci-dessous) et la date de l'achat qui figure sur la fiche de vente.
- Conserver ce livre et la fiche de vente ensemble dans un endroit d'accès commode.

Numéro de modèle

Numéro de série

Date de l'achat

Numéro de téléphone de l'entreprise de service



Importantes consignes de sécurité

⚠ AVERTISSEMENT

Pour réduire le risque d'incendie, de choc électrique ou de lésion corporelle lors de l'utilisation de votre climatiseur, suivre ces précautions de base :

- Lire toutes les instructions avant d'utiliser votre climatiseur.
- Achever l'installation selon les instructions décrites dans les "Consignes d'installation" en pages 8-17.
- Ne jamais laisser les enfants faire fonctionner ou jouer avec le climatiseur.
- Ne pas faire marcher le climatiseur si le panneau avant est enlevé.
- Ne jamais nettoyer de pièces du climatiseur avec des liquides inflammables. Les vapeurs peuvent créer un danger d'incendie ou une explosion.

• POUR VOTRE SÉCURITÉ •

NE PAS ENTREPOSER ET NE PAS UTILISER D'ESSENCE OU D'AUTRES VAPEURS ET LIQUIDES INFLAMMABLES À PROXIMITÉ DE CET APPAREIL OU D'AUTRES APPAREILS. LES VAPEURS PEUVENT CRÉER UN DANGER D'INCENDIE OU UNE EXPLOSION.

Vous êtes responsable de vous assurer que votre climatiseur :

- Est installé dans une fenêtre ou un mur qui supportera le poids et est protégé conformément aux consignes d'installation.
- Est branché à la prise de courant appropriée, avec l'alimentation électrique qu'il faut et la mise à la terre. (Voir "Exigences électriques" en pages 3-7.)
- Est de la taille appropriée pour la zone que vous voulez refroidir.
- Est utilisé seulement pour la tâche pour laquelle il a été conçu.
- N'est pas utilisé par des enfants ou quiconque incapable de le faire fonctionner comme il faut.
- Est bien entretenu.

Également, enlever l'étiquette d'énergie et le Guide d'achat. Utiliser un chiffon humide pour enlever tout résidu de colle. Ne pas se servir d'instruments aiguisés, de liquides inflammables ou de produits de nettoyage abrasifs. Ils peuvent endommager les matériaux.

—CONSERVER CES INSTRUCTIONS—

Exigences électriques

Parmi les variantes de bouchons électriques indiquées ci-dessous, choisir celui qui correspond à l'intensité nominale de votre appareil. L'intensité nominale de votre appareil est imprimée sur l'étiquette du modèle et du numéro de série, fixée à l'appareil, derrière le panneau avant. (Voir diagramme à la page 2.)

OBSERVER TOUS LES CODES ET ORDONNANCES LOCAUX.

EN AUCUN CAS, NE RETIRER LA BROCHE DE PRISE DE TERRE DU CORDON D'ALIMENTATION.

REMARQUE : Si les codes le permettent et qu'un fil de terre séparé est utilisé, il est recommandé qu'un électricien compétent détermine si le cheminement de la prise de terre est adéquat et non interrompu par des joints en plastique, non-métalliques ou autres matériaux isolants.

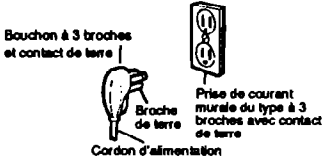
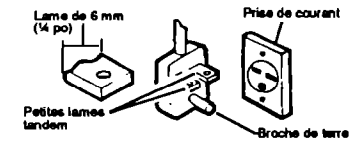
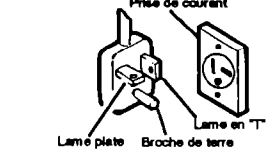
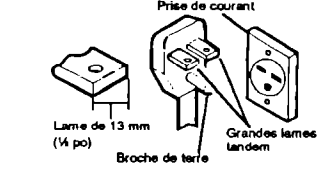
⚠ AVERTISSEMENT

Danger de choc électrique

- Une masse électrique est exigée pour cet appareil.
- Si un tuyau d'eau froide est interrompu par des joints en plastique, non-métalliques, ou autre matériaux isolants, ne pas utiliser pour la mise à la terre.
- NE PAS mettre à la terre à un tuyau à gaz.
- NE PAS modifier le bouchon du cordon d'alimentation. S'il ne s'adapte pas à la prise de courant appropriée par un électricien compétent.
- NE PAS mettre un fusible dans le circuit neutre ou de mise à la terre. Un fusible dans le circuit neutre ou de mise à la terre pourrait résulter en un choc électrique.
- NE PAS vous servir d'une rallonge avec cet appareil.
- Vérifier auprès d'un électricien compétent si vous avez des doutes pour savoir si l'appareil est mis à la terre comme il faut.

Le défaut de suivre ces consignes pourrait résulter en une lésion grave ou être fatal.

IMPORTANTES CONSIGNES DE SÉCURITÉ • EXIGENCES ÉLECTRIQUES

TYPE DE BOUCHON	EXIGENCES ÉLECTRIQUES	VOIR PAGE
	Modèles 115 volts, avec jusqu'à 12,0 ampères	4
	Modèles 230 et 230/208 volts avec jusqu'à 12,0 ampères	5
	Modèles 230 et 230/208 volts avec jusqu'à 16,0 ampères	6
	Modèles 230 et 230/208 volts avec jusqu'à 24,0 ampères	7

Modèles 115 volts avec jusqu'à 12,0 ampères

Câblage de la prise de courant

Le câblage de la prise de courant devrait être d'un minimum d'un calibre de fil de 14. Utiliser du fil de cuivre seulement. Le consommateur est responsable de fournir un câblage de prise de courant approprié et adéquat, installé par un électricien compétent. Observer le Code Électrique National et tous les codes et ordonnances locaux en vigueur.

Exigences électriques

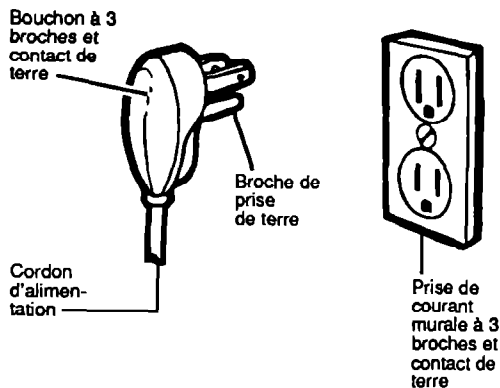
Une alimentation électrique protégée par un fusible de 15A de 115 volts (103,5 min., 126,5 max.), 60 Hz, CA seulement (un fusible à action différée ou un coupe-circuit retardé est exigé). Il est exigé qu'on fournisse un circuit séparé, servant seulement cet appareil.

Connexion électrique

Une prise de terre électrique est nécessaire pour cet appareil.

Méthode recommandée de mise à la terre

Pour votre sécurité personnelle, cet appareil doit être mis à la terre. Ce climatiseur est équipé d'un cordon d'alimentation ayant un bouchon de mise à la terre à 3 broches. Pour minimiser un danger possible de choc, le cordon doit être branché dans une prise de courant murale homologue à 3 broches et prise de terre, mise à la terre conformément au Code Électrique National (ANSI/NFPA 70 ou édition plus récente) et aux codes et ordonnances locaux. Si une prise de courant murale homologue n'est pas disponible, le consommateur sera responsable de faire installer une prise de courant murale à 3 broches mise à la terre par un électricien compétent.



Modèles 230 et 230/208 volts avec jusqu'à 12,0 ampères

Câblage de la prise de courant

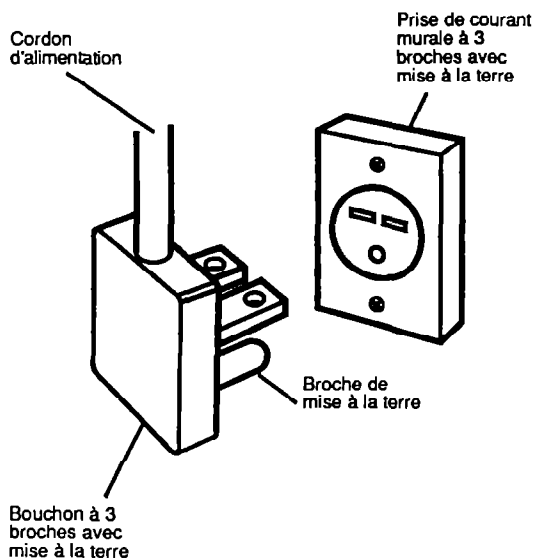
Le câblage de la prise de courant devrait être d'un calibre de fil minimum de 14. Utiliser du fil de cuivre seulement. Le consommateur est responsable de fournir un câblage approprié et adéquat de la prise de courant, installé par un électricien compétent. Observer le Code Électrique National et tous les codes et ordonnances locaux en vigueur.

Exigences électriques

Une alimentation électrique avec fusible de 15A de 230 volts (207 min., 253 max.), 60 Hz, CA seulement est nécessaire (un fusible à action différée ou un coupe-circuit retardé est exigé). Il est exigé que l'on fournisse un circuit séparé ne servant que cet appareil.

OU

Une alimentation électrique avec fusible de 15A de 230/208 volts (197,6 min., 253 max.), 60 Hz, CA seulement est nécessaire (un fusible à action différée ou un coupe-circuit retardé est exigé). Il est exigé que l'on fournisse un circuit séparé ne servant que cet appareil.



Connexion électrique

Une mise à la terre électrique est exigée pour cet appareil.

Méthode recommandée de mise à la terre
Pour votre sécurité personnelle, cet appareil doit être mis à la terre. Ce climatiseur est équipé d'un cordon d'alimentation ayant un bouchon à 3 broches avec une broche de prise de terre. Pour minimiser un danger possible de choc, le cordon doit être branché dans une prise de courant murale homologuée à 3 broches avec prise de terre, mise à la terre conformément au Code Électrique National (ANSI/NFPA 70 ou édition plus récente) et aux codes et ordonnances locaux. Si une prise de courant homologuée n'est pas disponible, il appartient au consommateur de faire installer une prise de courant murale à 3 broches mise à la terre comme il faut par un électricien compétent.

Modèles 230 et 230/208 volts avec jusqu'à 16,0 ampères

Câblage de la prise de courant

Le câblage de la prise de courant devrait être d'un calibre de fil minimum de 12. Utiliser du fil de cuivre seulement. Le consommateur sera responsable de fournir un câblage de prise de courant approprié et adéquat, installé par un électricien compétent. Observer le Code Électrique National et tous les codes et ordonnances locaux en vigueur.

Exigences électriques

Une alimentation électrique avec fusible de 20A de 230 volts (207 min., 253 max.), 60 Hz, CA seulement est nécessaire (un fusible à action différée ou un coupe-circuit retardé est exigé). Il est **exigé** qu'un circuit séparé ne servant que cet appareil, soit fourni.

OU

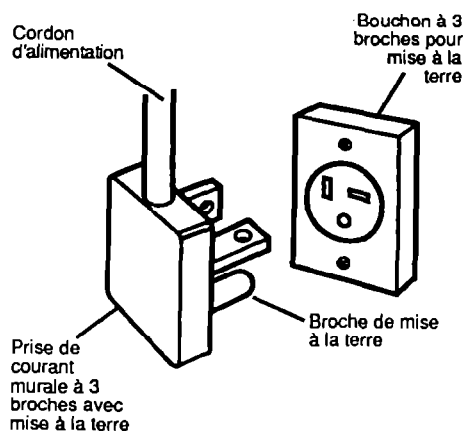
Une alimentation électrique avec fusible de 20A de 230/208 volts (197,6 min., 253 max.), 60 Hz, CA seulement est nécessaire (un fusible à action différée ou un coupe-circuit retardé est exigé). Il est **exigé** qu'un circuit séparé ne servant que cet appareil, soit fourni.

Connexion électrique

Une prise de terre électrique est exigée pour cet appareil.

Méthode de mise à la terre recommandée

Pour votre sécurité personnelle, cet appareil doit être mis à la terre. Ce climatiseur est équipé d'un cordon d'alimentation ayant une prise de terre à 3 broches. Afin de minimiser un danger possible de choc, le cordon doit être branché dans une prise de courant murale homologuée à 3 broches avec prise de terre, mise à la terre, conformément au Code Électrique National (ANSI/NFPA 70 ou édition plus récente) et aux codes et ordonnances locaux. Si une prise de courant murale homologuée n'est pas disponible, il appartient au consommateur de faire installer une prise de courant murale à 3 broches mise à la terre comme il faut par un électricien compétent.



Modèles 230 et 230/208 volts avec jusqu'à 24,0 ampères

Câblage de la prise de courant

Le câblage de la prise de courant devrait être fait avec un calibre de fil minimum de 10. Utiliser du fil de cuivre seulement. Le consommateur sera responsable de fournir un câblage de prise de courant approprié et adéquat, installé par un électricien compétent. Observer le Code Électrique National et tous les codes et ordonnances locaux en vigueur.

Exigences électriques

Une alimentation électrique à fusible de 30A (du type cartouche) 230 volts (207 min., 253 max.), 60 Hz, CA seulement est nécessaire (un fusible à action différée ou coupe-circuit retardé est exigé). Il est **exigé** qu'un circuit séparé, servant cet appareil seulement, soit fourni.

OU

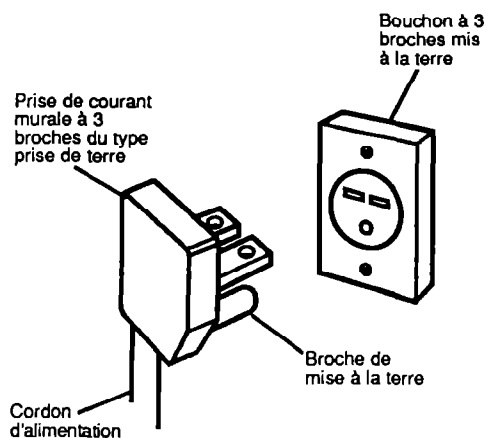
Une alimentation électrique à fusible de 30A (du type cartouche) 230/208 volts (197,6 min., 253 max.), 60 Hz, CA seulement est nécessaire (un fusible à action différée ou coupe-circuit retardé est exigé). Il est **exigé** qu'un circuit séparé, servant cet appareil seulement, soit fourni.

Connexion électrique

Une mise à la terre électrique est exigée pour cet appareil.

Méthode de mise à la terre recommandée

Pour votre sécurité personnelle, cet appareil doit être mis à la terre. Ce climatiseur est équipé d'un cordon d'alimentation ayant un bouchon à 3 broches avec broche de mise à la terre. Pour minimiser un danger possible de choc, le cordon doit être branché dans une prise de courant murale homologue conformément au Code Électrique National (ANSI/NFPA 70 ou édition plus récente) et aux codes et ordonnances locaux. Si une prise de courant murale homologue n'est pas disponible, il appartient au client de faire installer une prise de courant murale à 3 broches convenablement mise à la terre par un électricien compétent.



Consignes d'installation

Installation sur fenêtre

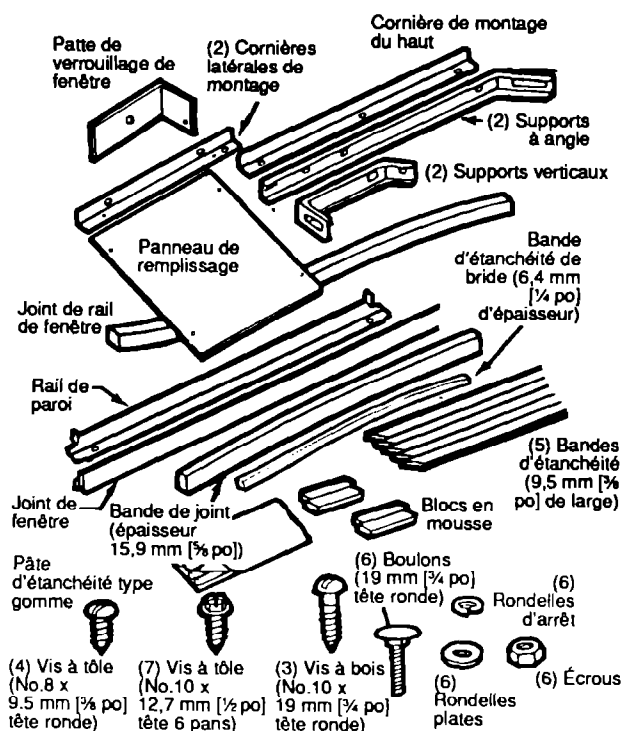
Pour contribuer à éviter des problèmes d'installation et pour aider à assurer un bon fonctionnement de votre nouveau climatiseur, lire ces consignes d'installation, ainsi que le mode d'emploi et les exigences électriques avant d'installer votre appareil.

⚠ AVERTISSEMENT

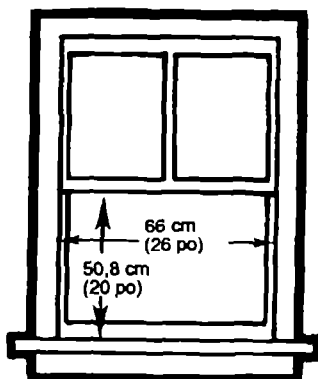
Danger de lésion corporelle et de dommages au produit

- Étant donné que ce climatiseur pèse entre 56,3 et 90 kg (125 à 200 livres), il est recommandé que vous ayez quelqu'un qui vous aide à installer votre nouvel appareil et que vous utilisiez tous les deux des techniques de levage appropriées.
- Inspecter l'état de la fenêtre où le climatiseur sera installé. S'assurer qu'elle supportera le poids de l'appareil.
- Cet appareil doit être installé conformément à tous les codes et ordonnances applicables.
- Manipuler le climatiseur avec soin. Faire attention aux ailettes en métal aiguisé sur les serpentins avant et arrière.
- Faire attention que votre climatiseur ne tombe pas pendant l'installation.
- Ne pas utiliser l'eau recueillie dans l'appareil comme eau de boisson. Elle n'est pas potable.

Le défaut de suivre les précautions indiquées ci-dessus pourrait résulter en une lésion corporelle ou des dommages au produit.



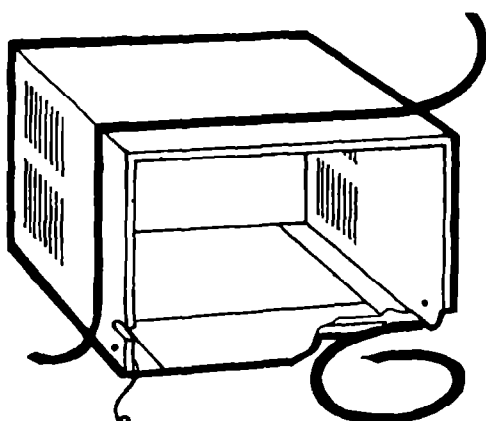
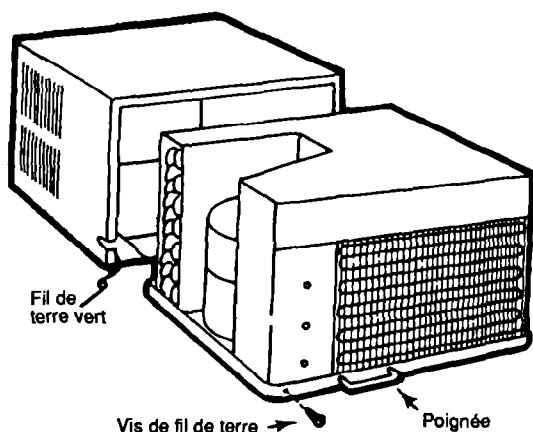
1. Déballez les pièces accessoires avant d'installer votre climatiseur. Assurez-vous que vous avez toutes les pièces nécessaires. Une installation normale peut être faite avec un tournevis, une scie, un petit niveau, un couteau de poche, un mètre-ruban, une clé à douille de 11 mm (7/16 po), une perceuse et un forêt de 3,2 mm (1/8 po).



2. **Choisir la fenêtre appropriée.** D'abord, décider quelle est la pièce (quelles sont les pièces) à refroidir. Puis choisir une fenêtre qui permettra à l'air climatisé de circuler librement et directement dans la(les) pièce(s) à refroidir. Souvenez-vous, il est difficile de déplacer de l'air autour des coins. Choisir une fenêtre qui est également proche d'une prise de courant électrique. (Voir "Exigences électriques" en pages 3-7 pour les besoins concernant la prise de courant et le câblage). **Ne pas se servir de rallonge.**

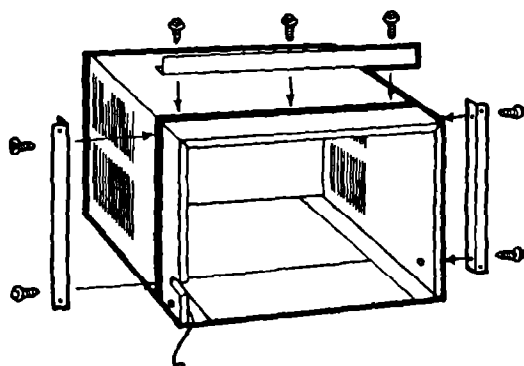
La fenêtre dans laquelle vous placez votre climatiseur devrait avoir une ouverture de 66 cm (26 po) de large au moins et de 50,8 cm (20 po) de haut au moins. Des pièces de pose standard sont fournies pour des fenêtres à châssis à guillotine jusqu'à 137 cm (54 po) de large.

3. **Enlever le panneau avant en poussant le haut du panneau vers le bas et l'extérieur.** Ceci protège le panneau de dommages et facilite la manipulation du climatiseur pendant l'installation.
4. **Faire glisser l'appareil hors de l'habillage.** Débrancher d'abord le fil de terre vert avant gauche de la base de l'appareil en enlevant la vis de fixation (garder la vis pour la réutiliser à l'étape 18). Faire glisser maintenant l'appareil hors de l'habillage en tirant sur la poignée à la base de l'appareil.

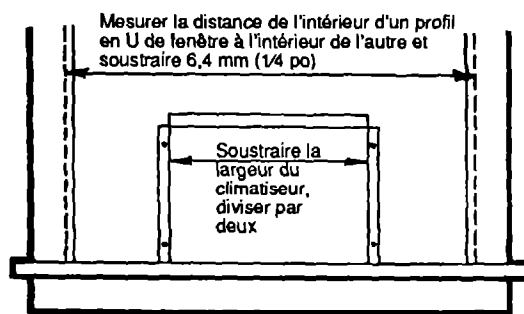


5. **Fixer les bandes d'étanchéité à l'habillage.** Placer la bande d'étanchéité auto-adhésive de 9,5 mm (3/8 po) de large sur le côté fenêtre de la bride du bas. Maintenant, en commençant au coin inférieur de l'habillage, appliquer les bandes d'étanchéité de 9,5 mm (3/8 po) de large sur la ligne médiane des trous pré-perçés pour une des cornières de montage latéral, sur la ligne médiane des trous pré-perçés pour le profilé en U à monter sur le haut, et sur la ligne médiane des trous pré-perçés pour l'autre cornière de montage latéral.

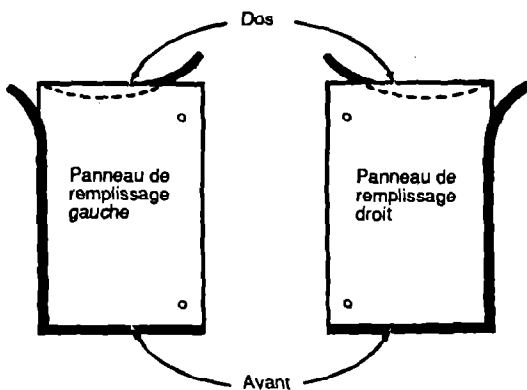
Consignes d'installation
Suite



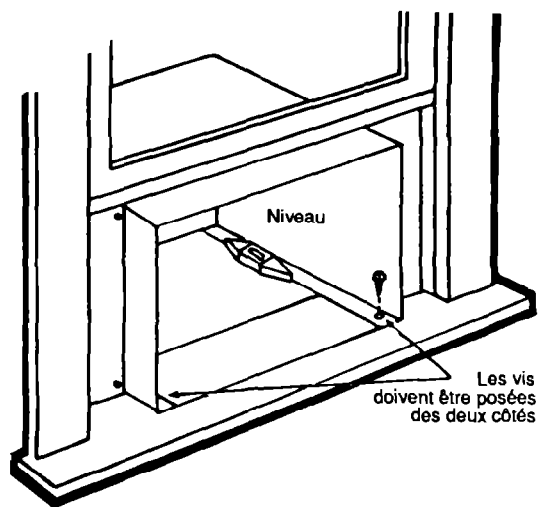
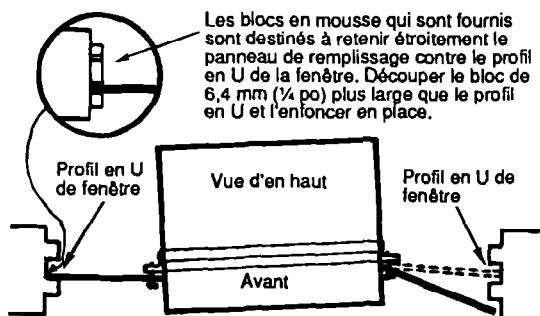
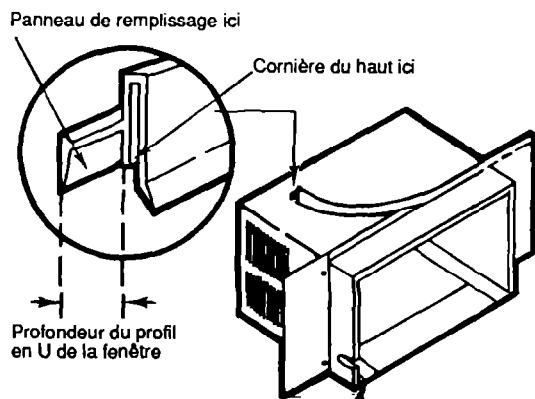
6. **Fixer les cornières latérales de montage** aux côtés de l'habillage en utilisant 4 vis à tête 6 pans. Perforer des trous dans la bande d'étanchéité avant de poser les vis. S'assurer que la bride de chaque côté de la cornière de montage fait face vers l'intérieur. Monter maintenant la cornière de montage du haut à l'habillage en utilisant 3 vis à tête 6 pans. S'assurer de nouveau que la bride fait face vers l'intérieur.



7. **Mesurer et couper les panneaux de remplissage** aux dimensions appropriées. Mesurer d'abord la distance depuis l'intérieur de l'un des profils en U de fenêtre à l'intérieur de l'autre profil en U et soustraire 6,4 mm (1/4 po). Soustraire maintenant la largeur du climatiseur et diviser par 2. Ceci vous donnera la largeur pour couper chaque panneau de remplissage. S'assurer que l'on coupe le panneau de remplissage à travers le milieu de sa mesure la plus longue. Étant donné que les panneaux de remplissage seront égaux en largeur, ils centreront automatiquement votre climatiseur dans la fenêtre.



8. **Appliquer les bandes d'étanchéité et poser les panneaux de remplissage.** Déterminer quel sera votre panneau de remplissage de gauche et de droite. Les trous de chaque panneau devraient s'aligner avec les trous dans les cornières latérales de montage. Chaque panneau de remplissage devrait aussi dépasser d'environ 1,3 cm (1/2 po) du bord supérieur de l'habillage du climatiseur. Appliquer maintenant les bandes d'étanchéité de 9,5 mm (3/8 po) de large du côté de l'intérieur de la chambre de chaque panneau de remplissage le long des bords de profil en U du bas et de la fenêtre. Fixer maintenant les panneaux de remplissage aux cornières latérales de montage avec 4 vis à tête 6 pans. Ne pas serrer les vis à fond, de façon à ce que les panneaux de remplissage puissent aller et venir.



9. Placer le joint de fenêtre sur la cornière de montage du haut et les panneaux de remplissage. Mesurer d'abord la profondeur du profil en U de la fenêtre. Découper un cran à l'extrémité du joint de fenêtre à la même profondeur. Mesurer ensuite la largeur de la fenêtre entre les profils en U de fenêtres (inclure la profondeur totale des profils en U de fenêtres). Découper maintenant le joint à la longueur appropriée. Découper l'extrémité non crantée du joint pour l'assortir à l'extrémité crantée. Placer le joint le long de la rainure sur la cornière de montage du haut; placer la rainure courte arrière sur les panneaux de remplissage, le côté long faisant face vers l'intérieur.

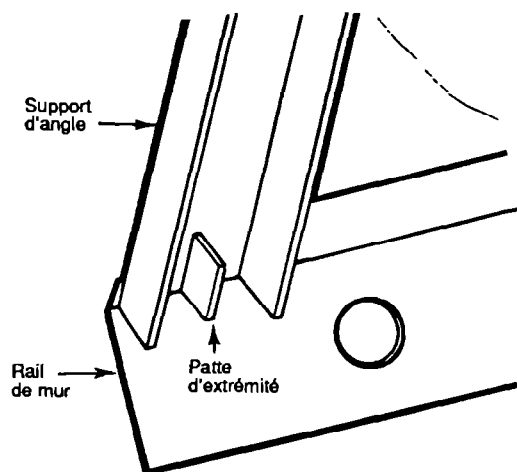
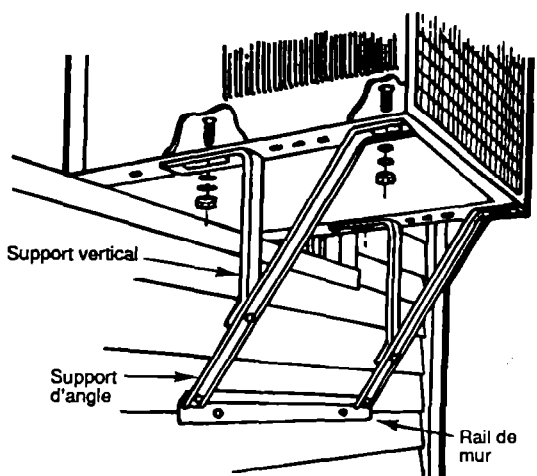
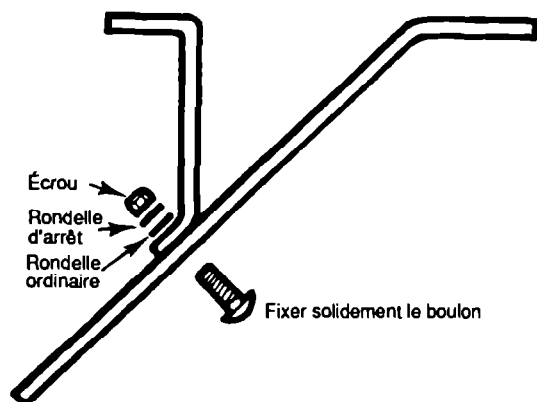
10. Placer l'habillage dans la fenêtre en tournant l'habillage sur un côté pour mettre un panneau de remplissage dans le profil en U de la fenêtre. Manœuvrer maintenant l'autre panneau de remplissage dans le profil en U de la fenêtre. En passant la main par l'ouverture de la fenêtre, pousser les panneaux de remplissage depuis l'extérieur vers vous aussi loin que possible. S'assurer que vous utilisez les blocs de mousse qui sont fournis.

⚠ MISE EN GARDE

S'assurer que l'habillage ne tombe pas par la fenêtre.

11. Abaisser la fenêtre et mettre le climatiseur de niveau. Abaisser fermement la fenêtre derrière le joint de fenêtre. Mettre l'habillage de niveau n'est pas nécessaire dans une installation normale étant donné que la pente appropriée est prévue dans le produit. Toutefois, s'assurer que vous avez environ 1/2 bulle (15,9 mm [$\frac{5}{8}$ po]) d'inclinaison vers le bas vers l'extérieur pour la vidange convenable de l'eau. Si nécessaire, repositionner ou caler l'habillage pour donner l'inclinaison appropriée ou la mise à niveau d'un côté à l'autre. Serrer maintenant les 4 vis de panneau de remplissage. S'assurer que la bride du bas est placée contre l'arrière de l'appui de la fenêtre pour obtenir une bonne étanchéité. Finalement, percer 2 trous de positionnement (3,2 mm [$\frac{1}{8}$ po]) dans l'appui de la fenêtre, en se servant des trous dans l'habillage comme guide. Utiliser 2 vis à bois pour fixer le fond de l'habillage dans l'appui de la fenêtre.

Consignes d'installation Suite



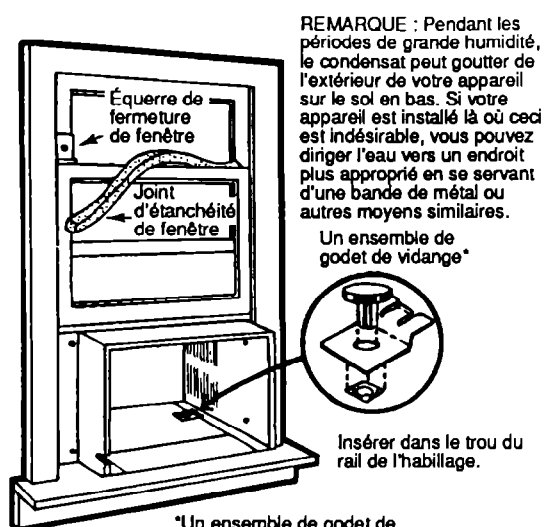
12. Monter les ensembles de support extérieur en attachant les uns aux autres les supports verticaux et d'angle avec des boulons de 19 mm (3/4 po), rondelles et écrous. Serrer solidement.

13. Positionner les ensembles de support contre le rail du bas de l'habillage et faire glisser vers la maison, en allouant environ 2,5 cm (1 po) de jeu entre l'extrémité du support d'angle et le mur. Choisir le jeu approprié de trous carrés dans les rails de l'habillage et fixer les ensembles de support aux rails de l'habillage en utilisant des boulons de 19 mm (3/4 po), rondelles et écrous. Ne pas serrer les écrous. Laisser l'ensemble lâche, de façon à ce que vous puissiez faire des ajustements aux ensembles de support plus tard.

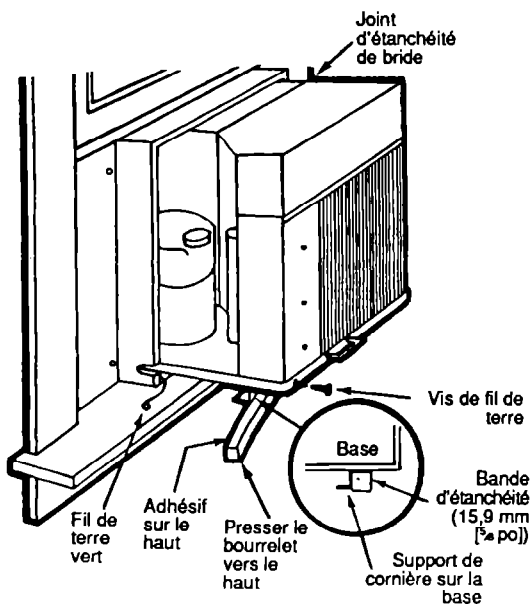
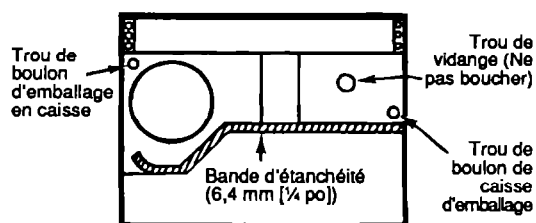
14. Insérer les pattes d'extrémité sur le rail du mur par la fente dans chaque ensemble de support. Faire glisser chaque ensemble de support vers la maison. S'assurer que le rail du mur est solidement positionné contre le mur extérieur.

REMARQUE : Si votre maison est construite dans une matière qui pourrait être endommagée par le support de montage du mur, fixer une planche entre le rail de mur et le côté de la maison.

15. Serrer solidement les écrous. Serrer les écrous les plus près du mur en dernier pour s'assurer que les rails du mur s'adaptent étroitement contre votre maison.



*Un ensemble de godet de vidange peut s'acheter comme accessoire auprès de votre concessionnaire.



16. Poser le joint de rail de la fenêtre, l'équerre de fermeture de fenêtre et le godet de vidange. Appuyer la mousse contre le joint du rail en place et découper à la longueur appropriée. Faire une marque et percer un trou de positionnement (3,2 mm [$\frac{1}{8}$ po]), installer ensuite l'équerre de la fermeture en utilisant une vis à bois. Sceller les petites ouvertures autour de l'installation avec un mastic caoutchouc.

⚠ MISE EN GARDE

L'équerre de fermeture de fenêtre doit être installée en tous temps pour être certain que le climatiseur ne tombe pas par la fenêtre. L'enlever seulement lorsque vous désirez enlever le climatiseur de la fenêtre.

17. Appliquer la bande d'étanchéité au haut de la bride de l'appareil ainsi qu'illustré à gauche. Boucher 2 trous de boulons de caisse d'emballage (6,4 mm [$\frac{1}{4}$ po] de diamètre) avec un mastic caoutchouc pour empêcher que l'eau ne goutte de ces trous.
18. Introduire le climatiseur dans l'habillage. Faire glisser l'appareil aux $\frac{3}{4}$ de la course seulement dans l'habillage. Ne pas pousser contre les ailettes aiguës et les pièces en plastique. Appliquer la bande d'étanchéité de 15,9 mm ($\frac{5}{8}$ po) sur le fond de la base de l'appareil ainsi qu'illustré à gauche. Pousser maintenant l'appareil à fond dans l'habillage en s'assurant que les supports de cornière sur la base passent le bord avant du fond de l'habillage. Fixer le fil de terre vert au coin avant gauche de la base de l'appareil en se servant de la vis du fil de terre.

⚠ AVERTISSEMENT

Danger de choc électrique
Laisser le fil branché quand le climatiseur est dans l'habillage. L'inobservation de cette recommandation pourrait résulter en un choc électrique pendant le fonctionnement et l'entretien.

19. Poser le panneau avant en plaçant le bord inférieur sur les griffes et en poussant le haut vers le bas, puis vers l'intérieur et vers le haut.

Installation à travers le mur

Le client a la responsabilité et l'obligation de faire installer cet appareil par un technicien compétent familier avec l'installation à travers le mur.

OU

Si vous décidez d'installer le climatiseur vous-même, lisez toutes les consignes d'installation, ainsi que les exigences électriques et le mode d'emploi avant d'installer votre appareil. Ceci contribuera à éviter des problèmes d'installation et aidera à assurer un bon fonctionnement de votre nouveau climatiseur.

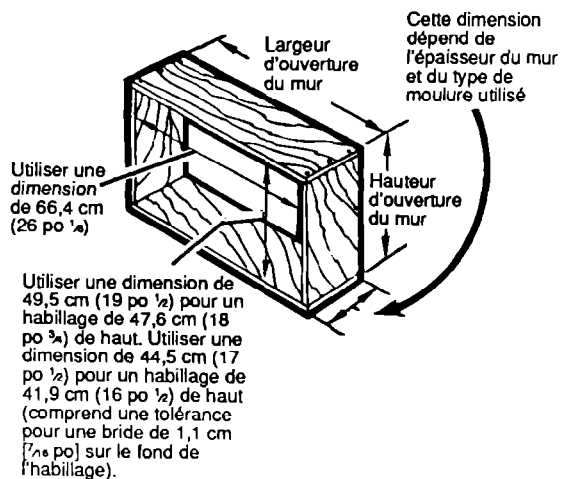
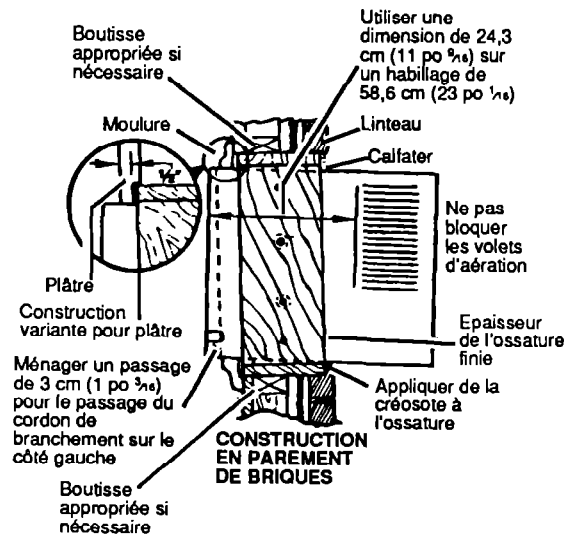
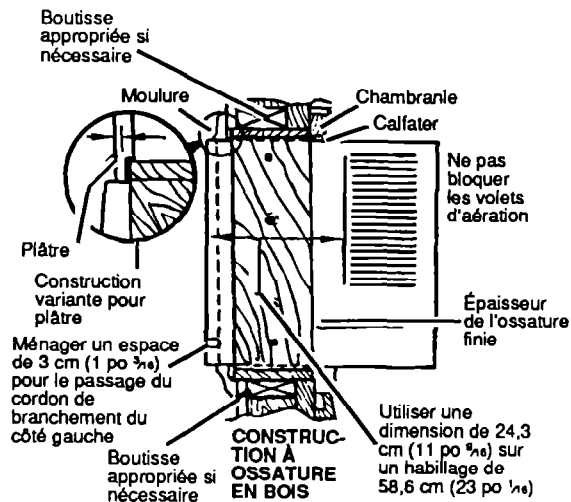
⚠ AVERTISSEMENT

Danger de lésion corporelle et de dommages au produit

- Étant donné que ce climatiseur pèse entre 56,3 et 90 kg (125 à 200 livres), il est recommandé que vous ayez quelqu'un pour vous aider à installer votre nouvel appareil et que vous utilisiez tous les deux des techniques de levage appropriées.
- Inspecter l'état du mur où le climatiseur sera installé. Soyez sûr qu'il supportera le poids de l'appareil.
- Cet appareil doit être installé conformément à tous les codes et ordonnances applicables.
- Manipuler le climatiseur avec soin. Faire attention aux ailettes de métal aiguës sur les serpentins avant et arrière.
- S'assurer que le climatiseur ne tombe pas pendant l'installation.
- Ne pas installer le climatiseur là où le devant de l'habillage en plastique sera exposé à une source de chaleur qui élève la température de surface au-dessus de 49° C (120° F).
- Ne pas boire l'eau recueillie dans l'appareil comme eau de boisson. Elle n'est pas potable.

L'Inobservation des précautions indiquées ci-dessus pourrait résulter en une lésion corporelle ou des dommages au produit.

1. **Choisir le mur approprié.** Décider d'abord quelle(s) pièce(s) à refroidir. Choisir ensuite un mur qui permettra à l'air climatisé de circuler librement et directement dans la(les) pièce(s) à refroidir. Souvenez-vous, il est difficile de déplacer de l'air autour des coins. Choisir un emplacement qui soit également proche d'une prise de courant. (Voir "Exigences électriques" en pages 3-7 pour les conditions à remplir pour la prise de courant et le câblage). **Ne pas utiliser de rallonge.**



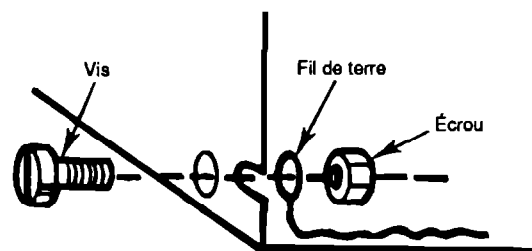
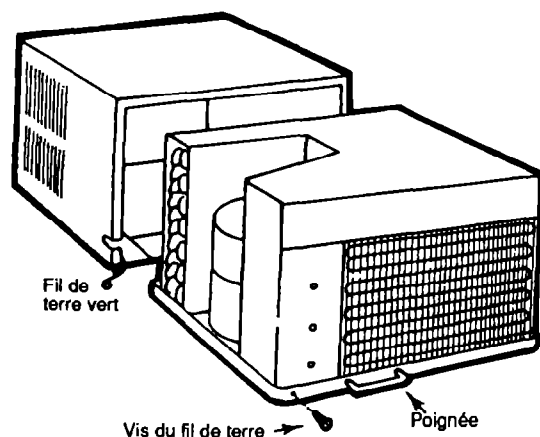
2. Choisir le type de moulure décorative que vous voulez utiliser autour de l'habillage du côté de la pièce. Votre choix affecte l'alignement de l'ossature finie avec le mur intérieur. Lorsqu'on utilise une moulure en bois, métal ou plastique, l'ossature finie devrait être presque alignée avec le mur intérieur. Si le mur est plâtré à l'habillage et qu'on n'utilise pas de moulure, l'ossature finie doit être encastrée dans le mur de 12,7 mm (1/2 po). (Voir l'illustration en haut à gauche pour la construction à ossature en bois. Voir l'illustration du milieu à gauche pour la construction en parement de briques.) Couper à travers deux poteaux pour disposer d'un support adéquat.

3. Ménager une ouverture à travers le mur pour une ossature finie. Observer tous les codes et ordonnances en vigueur. Pour les dimensions des ouvertures dans le mur, utiliser celles indiquées à gauche et ajouter l'épaisseur de l'ossature en bois (utiliser du bois de construction de 2,5 cm [1 po] ou plus épais). Lorsque vous établissez l'épaisseur de l'ossature finie, assurez-vous de ne pas couvrir le volet d'aération latéral de l'habillage. Un écart de 10,2 cm (4 po) minimum entre le volet d'aération latéral de l'habillage et le mur adjacent permet une circulation d'air appropriée dans le climatiseur.

4. Construire une ossature finie. Appliquer de la créosote (ou un équivalent) à l'extérieur de la surface exposée.

5. Installer une ossature finie dans l'ouverture du mur. Mettre l'ossature d'équerre et de niveau et la clouer solidement aux poteaux.

Consignes d'installation Suite

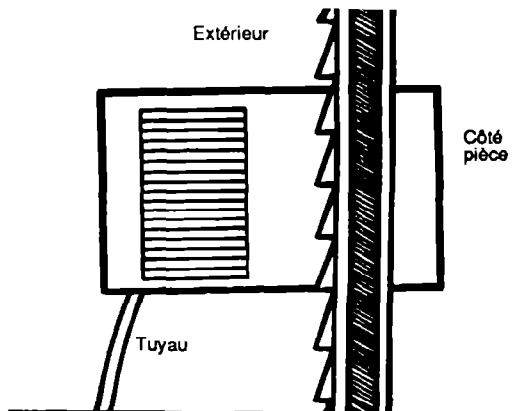


6. **Enlever le panneau avant** en poussant le haut vers le bas et vers l'extérieur. Ceci protège le panneau de dommages et rend le climatiseur plus facile à manipuler pendant l'installation.
7. **Faire glisser l'appareil hors de l'habillage.** Débrancher d'abord le fil de terre vert au coin inférieur gauche de la base de l'appareil en enlevant la vis de fixation (la mettre de côté pour la réutiliser à l'étape 12). Faire glisser maintenant l'appareil à l'extérieur de l'habillage en tirant sur la poignée à la base de l'appareil.
8. **Introduire l'habillage extérieur à travers l'ouverture du mur.** Laisser un porte à faux de 12,7 mm ($\frac{1}{2}$ po) minimum dans la pièce en haut de l'habillage, après avoir tenu compte de la moulure. Pour obtenir une vidange d'eau appropriée vers l'extérieur, caler ou repositionner l'habillage pour donner l'inclinaison appropriée vers l'extérieur ($\frac{1}{2}$ bulle ou 2,5 cm [1 po]) et le nivellement d'un côté à l'autre.
9. **Remplir tous les espaces** entre l'habillage et l'ossature finie avec de l'isolation.
10. **Percer des trous** dans l'habillage et le fixer solidement à l'ossature finie. Utiliser 10 vis à bois No.10 x 2,5 cm (1 po) (4 vis pour chaque côté et 2 vis pour le haut – vis non comprises). Ne pas serrer les vis à l'excès ou l'habillage se déformera et constituera un mauvais joint d'étanchéité d'air entre l'habillage et l'appareil.
11. **Introduire le climatiseur dans l'habillage.** Ne pas pousser contre les ailettes aiguës et les pièces en plastique.
12. **Fixer le fil de terre vert** au coin avant gauche de la base de l'appareil en vous servant de la vis de fixation.

⚠ AVERTISSEMENT

Danger de choc électrique
Tant que le climatiseur est dans l'habillage, le fil doit rester branché. L'observation de cette recommandation pourrait résulter en un choc électrique pendant le fonctionnement et l'entretien.

13. **Fixer le panneau avant** en plaçant le bord inférieur sur des griffes et en poussant le haut vers le bas, puis vers l'intérieur et vers le haut.



14. Calfater toutes les ouvertures du mur extérieur autour de l'habillage.
15. Poser une moulure autour de l'habillage du côté de la pièce, si nécessaire.
16. **EN OPTION** : Pendant les périodes de forte humidité, le condensat peut goutter de l'extérieur de votre climatiseur sur le sol en-dessous. Si votre climatiseur est installé où ceci est indésirable, vous pouvez diriger l'eau dans un endroit plus approprié en attachant simplement un tuyau à paroi mince de 1,6 cm ($\frac{5}{8}$ po) de diamètre intérieur au bec de vidange à l'arrière de l'habillage (voir l'illustration à gauche). Sur les modèles sans bec de godet de vidange en plastique, utiliser une bande de zinc pour guider l'eau, suivant les besoins.

REMARQUE : Se référer maintenant aux chapitres "Exigences électriques" en page 3-7 et "Mise en marche de votre climatiseur" en page 18.

Mode d'emploi

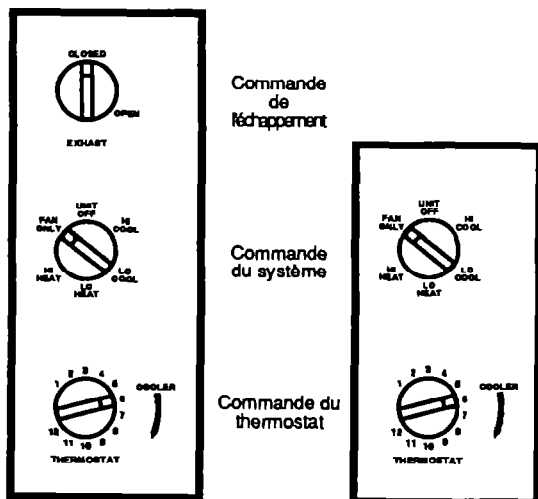
Mise en marche de votre climatiseur

⚠ AVERTISSEMENT

Danger de choc électrique

- Brancher l'appareil uniquement dans une prise de courant mise à la terre.
- Ne pas utiliser de rallonge.
- Ne pas faire marcher l'appareil si le panneau avant est enlevé.

L'observation des précautions indiquées ci-dessus pourrait résulter en un choc électrique ou une lésion corporelle.



1. Régler la commande d'échappement (si votre appareil en est muni) sur CLOSED (fermé) pour refroidir ou chauffer au maximum.
2. Régler la commande du système sur le réglage désiré.

LO COOLpour un sommeil (froid faible)confortable

HI COOLpour un refroidissement (froid fort)maximum

FAN ONLYpour faire circuler l'air de la (ventilateur seulement) pièce lorsqu'on ne désire pas de refroidissement

LO HEATpour un mouvement (chaleur faible) d'air réduit avec chauffage

HI HEATpour un mouvement d'air (chaleur forte) maximum avec chauffage

3. Mettre la commande du thermostat au numéro 6 (réglage moyen). Vous pouvez régler le rendement du froid du climatiseur en réajustant la commande du thermostat à un numéro plus élevé pour obtenir le maximum de froid. Abaisser le chiffre du réglage pour obtenir moins de froid. vous faudra faire des expériences pour trouver les réglages qui vous conviennent le mieux.

REMARQUE : Il vous arrêtez votre climatiseur ou si le compresseur s'arrête lorsqu'on abaisse la commande du thermostat, attendez trois minutes au moins avant de le remettre en marche ou vous pourriez faire sauter un fusible ou déclencher le coupe-circuit.

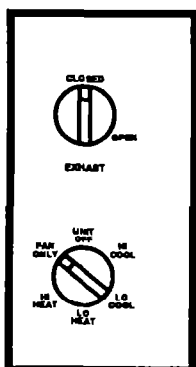
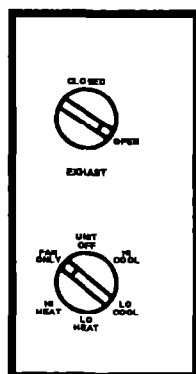
Utilisation des réglages de CHAUFFAGE

Faire tourner la commande du thermostat sur le numéro 6 (réglage moyen). Vous pouvez régler le rendement du chauffage du climatiseur en réajustant la commande du thermostat à un chiffre plus faible pour obtenir plus de chaleur. Faire tourner à un chiffre plus élevé pour obtenir moins de chaleur.

REMARQUE : Cet appareil n'est pas conçu pour être utilisé comme source de chaleur principale. Il est prévu pour être un chauffage supplémentaire seulement.

La commande de l'échappement (sur certains modèles)

Le réglage de la commande d'échappement évacue l'air confiné ou enfumé de la pièce sans refroidissement ou chauffage.



1. Pour évacuer l'air de la pièce :

- Mettre la commande de l'échappement sur OPEN (ouvert).
- Si l'on ne désire ni refroidissement ni chauffage, utiliser le réglage FAN ONLY (ventilateur seulement).
- Pour refroidir, placer la commande du système sur le réglage COOL (froid) désiré.
- Pour chauffer, placer la commande du système sur le réglage HEAT (chauffage) désiré.

2. Pour faire circuler l'air de la pièce :

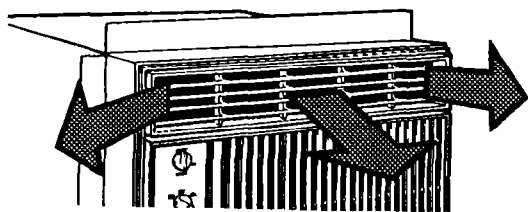
- Mettre la commande d'échappement sur CLOSED (fermé).
- Si l'on ne désire ni refroidissement ni chauffage, utiliser la position FAN ONLY (ventilateur seulement).
- Pour refroidir, placer la commande du système sur la position COOL (froid) désirée.
- Pour chauffer, placer la commande du système sur la position HEAT (chauffage) désirée.

REMARQUE : Pour obtenir un rendement maximum, la commande d'échappement doit se trouver en position CLOSED (fermé) lorsqu'on désire refroidir, chauffer ou faire circuler l'air de la pièce.

Pour changer la direction de l'air

Les volets d'aération de la zone de la grille sur le haut du climatiseur commandent les directions de l'air climatisé.

- Déplacer les pattes au bas de la grille dans la direction où vous désirez envoyer l'air (à droite, à gauche ou droit devant).
- Sur la plupart des modèles, les volets d'aération ne peuvent être réglés qu'à gauche ou à droite. Le réglage du devant est fixe et dirigé vers le haut.
- Sur certains modèles, le débit d'air peut être dirigé vers le haut ou le bas. Déplacer la patte du centre du volet d'aération pour diriger l'air.



Consignes de nettoyage

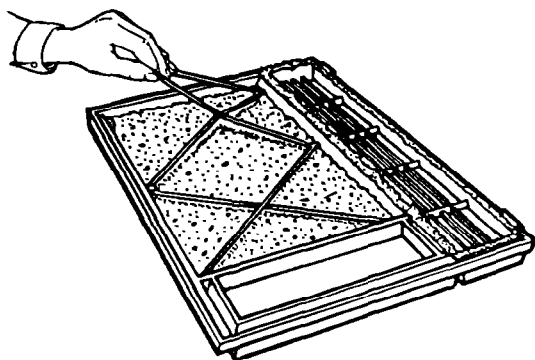
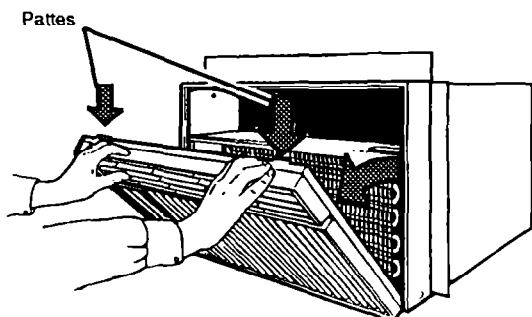
L'emploi et l'entretien appropriés de votre climatiseur contribueront à assurer une plus grande longévité et à abaisser les frais de fonctionnement. Suivre soigneusement ces consignes. Appeler votre concessionnaire local assurant le service pour faire une vérification annuelle.

Nettoyage du panneau avant et du filtre

⚠ AVERTISSEMENT

Danger de choc électrique, lésion corporelle et dommages à l'appareil

- **Débrancher le cordon d'alimentation de la prise de courant avant de nettoyer l'appareil. L'inobservation de cette recommandation pourrait résulter en un choc électrique ou une lésion corporelle.**
- **Manipuler le climatiseur avec soin. Les ailettes métalliques sur les serpentins sont aigües. L'inobservation de cette mise en garde pourrait résulter en une lésion corporelle.**
- **Ne pas utiliser de produits de nettoyage, solvants, produits de nettoyage abrasifs, ou détergents forts. Ils pourraient abîmer les pièces.**



1. Débrancher le cordon d'alimentation.
2. Enlever le panneau avant de l'appareil pour nettoyer. Appuyer vers le bas en haut du panneau avant pour le dégager de l'avant de l'habillage.
3. Tirer le haut du panneau avant vers vous.
4. Soulever vers le haut et à l'écart des griffes à ressort du bas.
5. Enlever le filtre du panneau avant en enlevant le bracelet élastique qui le maintient en place.
6. Nettoyer le filtre avec un aspirateur ou, s'il est très sale, laver le filtre avec de l'eau chaude et un détergent doux. Sécher à l'air à fond avant de le remettre en place. **Ne pas se servir d'un séchoir à air chaud sur le filtre.**
7. Nettoyer le panneau avant avec un chiffon doux et avec de l'eau chaude et un détergent doux. Rincer et sécher.
8. Remettre le filtre et le maintenir en place avec un bracelet en élastique.
9. Essuyer le tableau de commande avec un chiffon doux sec.
10. Remettre le panneau avant. Placer le bas du panneau sur les pinces à ressort. Appuyer vers le bas sur le bord supérieur du panneau avant et pousser l'avant vers l'appareil pour fixer les pattes supérieures.
11. Rebrancher l'alimentation électrique.

Consignes d'entretien

Entretien annuel

Votre climatiseur a besoin d'un entretien annuel pour contribuer à assurer un excellent rendement continu pendant toute l'année.

Appeler l'entreprise de service d'entretien recommandée par votre concessionnaire pour :

- Inspecter et nettoyer les serpentins et les passages d'eau de condensat.
- Vérifier le ventilateur et le moteur du ventilateur.

Le compresseur est scellé et ne demande pas de graissage. Les frais d'inspection annuelle sont à la charge du client.

OU

Si vous êtes familier avec les appareils électriques, vous pouvez faire le nettoyage et l'entretien vous-même. Si vous décidez de le faire, suivez ces étapes:

AVERTISSEMENT

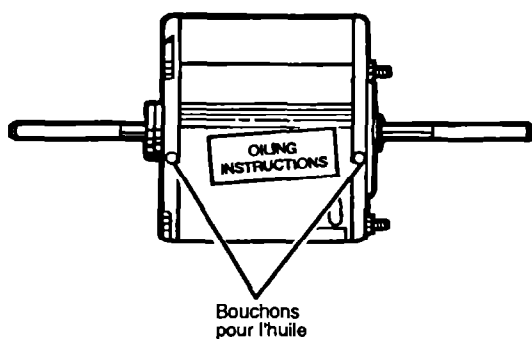
Danger de choc électrique et de lésion corporelle

- **Débrancher le cordon d'alimentation de la prise de courant avant d'effectuer tout entretien. S'assurer qu'aucun liquide ne pénètre dans le moteur, le coffret de commande électrique ou les bornes électriques du compresseur.**
- **Étant donné que votre climatiseur pèse entre 56,3 et 90 kg (125 à 200 livres), il est recommandé que vous ayez quelqu'un pour vous aider lorsque vous enlevez ou réinstallez votre appareil et que vous utilisiez tous deux des techniques de levage appropriées.**
- **Manipuler le climatiseur avec soin. Faire attention aux ailettes métalliques aigües sur les serpentins avant et arrière du condensateur.**
- **Ne pas utiliser l'eau recueillie pour boire. Elle n'est pas potable.**

L'inobservation des précautions ci-dessus pourrait résulter en un choc électrique ou une lésion corporelle.

1. Débrancher le cordon d'alimentation.
2. Enlever le panneau avant. (Voir page 20 pour les consignes.)
3. Tirer les boutons de commande tout droit. Enlever la plaque de commande.
4. Enlever le fil de terre vert. Il est fixé avec une vis située du côté gauche du fond, sous la plaque de commande. (Mettre la vis de côté pour rebrancher le fil.)
5. Tirer les poignées en fil de fer dans le fond et faire glisser le climatiseur de l'habillage.
REMARQUE : Le climatiseur est lourd et devrait être enlevé par deux personnes au moins.
6. Envelopper le moteur, le coffret de commande électrique et la boîte à bornes du compresseur dans un film en plastique et s'assurer que de l'eau ou d'autres liquides ne pénètrent pas à l'intérieur d'une quelconque de ces pièces. Cela pourrait endommager l'isolation et causer de graves problèmes mécaniques.
7. Nettoyer soigneusement et laver au jet la base, les serpentins du condensateur et les pièces du condensat. Nettoyer au moins une fois par an – ou plus souvent si le serpentin du condensateur et le bac accumulent de la saleté, du sable, des feuilles, des insectes ou des algues. Nettoyer aussi si vous détectez une odeur provenant du climatiseur. (C'est un bon moment pour huiler le moteur lorsque l'habillage est déjà ouvert. Voir le chapitre "Pour huiler le moteur du ventilateur" à la page 22.)
8. Enlever le film en plastique du moteur et des pièces électriques.
9. Remettre l'appareil dans l'habillage.
10. Rebrancher le fil de terre. Remettre la plaque de commande et les boutons.
11. Remettre le panneau avant.
12. Rebrancher l'alimentation électrique.

REMARQUE : C'est une bonne idée d'attendre 24 heures avant de remettre l'appareil en marche. Ceci donne le temps à toutes les parties de sécher. L'eau de pluie ou provenant du fonctionnement normal n'abîme pas ces composants.



Pour huiler le moteur du ventilateur

⚠ AVERTISSEMENT

Danger de choc électrique
Débrancher le cordon d'alimentation de la prise de courant avant d'huiler le moteur du ventilateur. L'inobservation de cette recommandation pourrait résulter en un choc électrique.

1. Débrancher le cordon d'alimentation.
2. Retirer l'appareil de l'habillage. (Suivre les étapes indiquées au chapitre "Entretien annuel" à la page 21).
3. Huiler le moteur du ventilateur suivant les consignes qui figurent sur le moteur. Pour ajouter de l'huile, enlever le bouchon du trou de passage d'huile à chaque extrémité du moteur. Utiliser de l'huile SAE No. 20 non-détergente.
4. Remettre les bouchons pour empêcher la saleté de pénétrer dans les roulements du moteur.
5. Remettre l'appareil dans l'habillage.
6. Rebrancher l'alimentation électrique.

Conseils pour économiser l'énergie

- Améliorer l'isolation de la maison. Sceller les portes, les fenêtres et fermer le tuyau d'évacuation des fumées de la cheminée.
- Fermer les stores ou les doubles rideaux du côté ensoleillé de la maison. Ajouter des stores extérieurs aux fenêtres.
- Tenir le filtre à air propre. Ne pas bloquer la circulation d'air avec des doubles rideaux ou des meubles.
- Ventiler le grenier (des niveaux de haute température accroissent la charge normale de refroidissement).
- Essayer de ne pas utiliser d'appareils générateurs de chaleur pendant la partie la plus chaude de la journée. Éteindre les lumières, les radios, les téléviseurs et autres appareils lorsqu'on en a pas besoin.
- Tenir les bouches de chaleur et les reprises d'air frais fermées ou bloquées de sorte que l'air refroidi ne s'échappe pas.
- Utiliser un ventilateur d'aération dans les zones de cuisine, de buanderie ou de bains pour extraire la chaleur et l'humidité près de leur source.

Si vous avez besoin de service ou d'assistance

Nous vous suggérons de suivre ces étapes :

Avant de faire appel à l'assistance ...

Les problèmes de rendement résultent souvent de petites choses que vous pouvez trouver et réparer vous-même sans outils d'aucune sorte.

Le climatiseur ne veut pas marcher :

- L'appareil est-il branché dans un circuit sous tension avec la tension appropriée?
- L'interrupteur est-il en position MARCHE?
- La commande du thermostat est-elle réglée comme il faut?
- Avez-vous vérifié les fusibles principaux de votre maison ou le coffret du coupe-circuit?
- Le fusible à action différée a-t-il sauté ou le coupe-circuit s'est-il déclenché?
- Y a-t-il eu une panne de courant locale?

L'appareil fait sauter des fusibles ou déclenche le coupe-circuit :

- Se sert-on de fusibles à action différée?
- Se sert-on d'une rallonge? (N'utilisez pas de rallonge pour faire marcher votre climatiseur.)
- Attendez-vous trois minutes après avoir arrêté le circuit de refroidissement avant d'essayer de remettre l'appareil en marche?

L'appareil se met en marche et s'arrête, ou ne refroidit pas la pièce :

- Le filtre est-il propre?
- Les serpentins sont-ils propres (à la fois l'évaporateur [intérieur] et condenseur [extérieur])?
- Y a-t-il une humidité ou chaleur excessive (casserole découverte, douches, etc.)?
- Essayer de placer la commande du ventilateur sur une vitesse plus élevée.
- Essayer de placer la commande du thermostat sur un réglage plus froid.

L'appareil se met en marche et s'arrête, ou ne chauffe pas la pièce :

- Le filtre est-il propre?
- Les serpentins sont-ils propres (à la fois l'évaporateur [intérieur] et condenseur [extérieur])?
- Essayer de placer la commande du ventilateur sur une vitesse plus élevée.
- Essayer de placer la commande du thermostat sur un réglage plus froid.
- La température extérieure est-elle inférieure à 7° C (45° F)?

Bruits de fonctionnement :

Lorsque votre climatiseur fonctionne normalement, vous entendrez des bruits tels que:

- Des gouttelettes d'eau frappant le condenseur, produisant un son métallique ou sec. Les gouttelettes d'eau contribuent à refroidir le condenseur.
- Le mouvement d'air du ventilateur, en particulier dans les positions de réglage de grande vitesse du ventilateur.
- Des cliquetis du cycle du thermostat.

Des bruits peuvent également être causés par la construction de la maison – tel que vibration de l'appareil due à la construction du mur ou des zones de montage sur la fenêtre instable.

Si vous avez besoin de service ou d'assistance
Suite

Pour service aux É.U. :

1. Si vous avez besoin d'assistance* ...

Appelez le numéro de téléphone du Centre d'Assistance aux consommateurs. Composez gratuitement depuis tout point des É.U. :

1-800-253-1301

et parlez à l'un de nos consultants formés. Le consultant peut vous indiquer comment obtenir un fonctionnement satisfaisant de votre appareil ou, si un service est nécessaire, recommander une société de service compétente dans votre région.

2. Si vous avez besoin de service* ...

Nous avons un réseau national de sociétés de service autorisées. Les techniciens de service sont formés pour remplir les conditions de la garantie du produit n'importe où aux États-Unis. Pour trouver la société de service autorisée dans votre région, appeler notre numéro de téléphone du Centre d'Assistance aux consommateurs (voir étape 1) ou consulter les Pages Jaunes de votre annuaire du téléphone à la rubrique:

GROS APPAREILS - ÉLECTROMÉNAGERS -
SERVICE & RÉPARATIONS

3. Si vous avez besoin de pièces de rechange* ...

Pour trouver des pièces de rechange dans votre région, se référer à l'étape 2 ci-dessus ou appelez le numéro du Centre d'Assistance aux Consommateurs indiqué à l'étape 1.

4. Si vous n'êtes pas satisfait de la manière dont le problème a été résolu* ...

- Prendre contact avec le Major Appliance Consumer Action Panel (MACAP). MACAP est un groupe de consommateurs experts indépendants qui exprime les vues des consommateurs aux niveaux les plus élevés de l'industrie des gros appareils électroménagers.
- Prendre contact avec MACAP seulement lorsque le concessionnaire ou la maison de service autorisée n'ont pas corrigé votre problème.

Major Appliance Consumer Action Panel
20 North Wacker Drive
Chicago, IL 60606

- MACAP à son tour nous informera de votre action.

*Si vous avez besoin d'assistance, prière de fournir : le numéro de modèle, le numéro de série, la date d'achat et une description complète du problème. Ces renseignements sont nécessaires pour mieux répondre à votre demande.

Pour service au Canada :

PROCARE SERVICE D'APPAREILS MÉNAGERS-INGLIS LIMITÉE SERVICE AUX CONSOMMATEURS

Succursales de service de district :

COLOMBIE BRITANNIQUE	Vancouver	Procure Service D'appareils Ménagers 2991 Grandview	604-432-7416
	Victoria	Procure Service D'appareils Ménagers 3117 Steele Street	604-386-2208
	Surrey	Procure Service D'appareils Ménagers Unit #2, 8145 - 130th St.	604-590-6422
ALBERTA	Calgary	Procure Service D'appareils Ménagers #15 6025 12th St. S.E.	403-253-9267
	Edmonton	Procure Service D'appareils Ménagers 12235 Fort Road	403-474-8576
ONTARIO	Toronto (Mississauga)	Procure Service D'appareils Ménagers 5945 Ambler Drive	416-624-2800
	Toronto (Markham)	Procure Service D'appareils Ménagers Unit #1, 110 Torbay Rd.	416-475-9511
	Windsor	Procure Service D'appareils Ménagers 3180 Grand Marais Ave. E.	519-944-3551
	London	Procure Service D'appareils Ménagers 317 Adelaide St. S., Suite 109	519-686-8633
	Hamilton	Procure Service D'appareils Ménagers 310 Kenora Avenue	416-560-7444
	Barrle	Procure Service D'appareils Ménagers 4 Alliance Blvd.	705-726-3922
	Ottawa	Procure Service D'appareils Ménagers 28 Capital Drive	613-225-0510
SASKATCHEWAN	Regina	Procure Service D'appareils Ménagers 660 Henderson Drive	306-569-9681
	Saskatoon	Procure Service D'appareils Ménagers 1505 Ontario Avenue	306-652-9285

suite à la page suivante

**Si vous avez besoin de service ou d'assistance
Suite**

MANITOBA	Winnipeg	Procure Service D'appareils Ménagers 1683 Church Avenue	204-694-5308
<hr/>			
QUÉBEC	Montréal Est	Procure Service D'appareils Ménagers 8620, boul. Pie IX	514-376-5260
	Montréal Ouest	Procure Service D'appareils Ménagers 6230, route Transcanadienne	514-735-8402
	Brossard	Procure Service D'appareils Ménagers 9605, F. rue Ignace	514-397-1840
	Chicoutimi	Procure Service D'appareils Ménagers 163, rue Bosse Ouest	418-543-0267
	Québec	Procure Service D'appareils Ménagers 5275, boul. Wilfrid Hamel, Bureau 140	418-871-5251
	Sherbrooke (Rock Forest)	Procure Service D'appareils Ménagers 483, boul. Industrial	819-564-6565
	Trois-Rivières	Procure Service D'appareils Ménagers 6183, rue Corbeil	819-375-9674
<hr/>			
NOUVELLE-ÉCOSSE	Dartmouth	Procure Service D'appareils Ménagers 10 Akerley Blvd., Suite 23	902-468-6634

Pour obtenir des services techniques en dehors des centres mentionnés,
veuillez communiquer avec votre marchand d'appareils.

Garantie

DURÉE DE LA GARANTIE	NOUS SUPPORTERONS LES FRAIS DE
GARANTIE COMPLÈTE D'UN AN À compter de la date de l'achat	Pièces de rechange et la main-d'œuvre de réparation pour corriger les défauts de matériaux ou de main-d'œuvre.
GARANTIE COMPLÈTE DE CINQ ANS À compter de la date de l'achat	Pièces de rechange et la main-d'œuvre de réparation pour corriger les défauts de matériaux ou de main-d'œuvre dans le système scellé de réfrigération. Ces pièces sont : 1. Compresseur 4. Séchoir-tamis 2. Évaporateur 5. Tube de raccord 3. Condenseur
NOUS NE SUPPORTERONS PAS LES FRAIS DE	
<p>A. D'appels de service pour:</p> <ol style="list-style-type: none"> 1. Corriger l'installation du climatiseur. 2. Vous enseigner comment utiliser le climatiseur. 3. Remplacer les fusibles de la maison ou corriger le câblage de la maison. 4. Nettoyer ou remplacer le filtre à air. <p>B. L'enlèvement et la livraison. Ce produit est conçu pour être réparé dans l'habitation.</p> <p>C. Les dommages au climatiseur causés par accident, mauvais emploi, incendie, inondation, cas de force majeure ou utilisation de produits non cités dans ce manuel.</p> <p>D. La dépose et la réinstallation du climatiseur s'il est installé dans un endroit surélevé ou autrement inaccessible ou non posé conformément aux consignes d'installation publiées.</p>	

Le service en vertu des garanties totales doit être fourni par une entreprise de service autorisée. Cette garantie vous donne des droits légaux spécifiques, et il se peut que vous ayez d'autres droits qui varient d'une province à l'autre.

En dehors des États-Unis, une garantie différente peut s'appliquer. Pour de plus amples détails, prière de prendre contact avec votre distributeur autorisé ou magasin de l'armée.

Si vous avez besoin de service, voir d'abord le chapitre "Service et Assistance" du présent ouvrage. Après avoir vérifié avec "Service et Assistance," une aide supplémentaire est disponible en appelant notre numéro de téléphone du Centre d'Assistance aux Consommateurs, 1-800-253-1301, à partir de n'importe où aux États-Unis. Pour service au Canada, voir "Procare Service D'appareils Ménagers" à la page 25 pour obtenir les succursales de service local.